



**FOCUS IQ™**  
School Air Solutions

# Installation & Operation Manual

**Models CV36N3B CV60N3B**

This appliance is not intended for use by persons (including children) with reduced physical, sensory or mental capabilities, or lack of experience and knowledge unless they have been given supervision or instruction concerning the use of the appliance by a person responsible for their safety.

Children should be supervised to ensure that they do not play with the appliance.

This document contains proprietary information that is protected by copyright and other intellectual property laws. No part of this document may be reproduced, translated, or modified without the prior written consent of AIRSYS. The information contained in this document is subject to change without notice.

AIRSYS provides this material as is and makes no warranty of any kind, expressed or implied, including, but not limited to, the implied warranties of merchantability and fitness for a particular purpose. AIRSYS shall not be liable for errors contained herein or for incidental or consequential damages (including lost profits) in connection with the furnishing, performance, or use of this material whether based on warranty, contract, or other legal theory.

Designations used by other companies to distinguish their products are often claimed as trademarks. In this document, the product names appear in initial capital or all capital letters. Contact the appropriate companies for more information regarding trademarks and registration.

Copyright ©2018-2022 by AIRSYS

AIRSYS

7820 Reidville Rd.

Greer, SC 29334

855-874-5380

<https://airsysnorthamerica.com>

# Content

<b>1</b>	<b>Introduction</b>	<b>5</b>
1.1	Using this Manual	6
1.2	Model Number Nomenclature	7
1.3	Acronyms and Abbreviations	8
<b>2</b>	<b>Product Overview</b>	<b>9</b>
2.1	<b>Ventilation Options</b>	<b>11</b>
2.1.1	Blank Off Plate	11
2.1.2	Commerical Room Ventilator (CRV)	11
2.1.3	Energy Recovery Ventilator (ERV)	11
2.2	<b>Required Installation Accessories</b>	<b>12</b>
2.2.1	Window Duct Frame (Wall Sleeve)	12
2.3	<b>Optional Installation Accessories</b>	<b>12</b>
2.3.1	Base Extension	12
2.3.2	Top Cover Panel	12
2.3.3	Free Discharge Plenum	12
2.3.4	Side Cover Panel	13
2.3.5	Optional Installation Schemitic	13
2.4	<b>Heater Options</b>	<b>14</b>
2.4.1	PTC Electrical Heater	14
2.5	<b>Filter Options</b>	<b>14</b>
2.5.1	Non-Standard Filters	14
<b>3</b>	<b>Installation</b>	<b>15</b>
3.1	<b>Installation Preparation</b>	<b>16</b>
3.1.1	Delivery	16
3.1.2	Warranty	16
3.1.3	Moving the Unit	17
3.1.4	General Safety Rules	17
3.2	<b>Required Materials</b>	<b>17</b>
3.2.1	AIRSYS Supplied Materials	17
3.2.2	Materials to be Supplied by Installer	21
3.2.3	Summary Electrical Ratings (Wire Sizing)	22
3.3	<b>Physical Installation</b>	<b>23</b>
3.3.1	Select the location for Installing the Unit	23
3.3.2	Clearances	23
3.3.3	Physical Dimension	24
3.3.4	Make Openings in the Wall	25
3.3.5	Disassembly of Base	26

---

3.3.6 Seal Space between Wall Sleeve and Opening	30
3.3.7 Install Louver (Grille)	30
3.3.8 Duct Work	30
3.3.9 Install Ventilation Options	30
3.3.10 Installing Air Supply Air Sensor	33
<b>3.4 Complete Electrical Connections</b>	<b>34</b>
3.4.1 Cautions	34
3.4.2 Wiring-Main Power	34
3.4.3 Wiring-Low Voltage Wiring	36
3.4.4 Electrical Heater Installation/Replacement (Optional)	37
<b>3.5 Complete the Installation Checklist</b>	<b>40</b>
3.5.1 Turn on Component Breakers	40
3.5.2 Turn on Primary Power	40
<b>4 System Operation</b>	<b>41</b>
<b>4.1 Sequence of Operation</b>	<b>42</b>
4.1.1 Cooling and Heating	42
4.1.2 Compressor protection	42
4.1.3 Aux/Emergency Heating	42
4.1.4 Supply Fan (Indoor Blower)	42
4.1.5 Defrost	42
4.1.6 Dehumidification (optional)	42
<b>4.2 Alarms</b>	<b>42</b>
<b>4.3 Complete the Registration Card</b>	<b>47</b>
<b>5 Appendix A Ventilation Options</b>	<b>49</b>
<b>6 Appendix B Installation Accessories</b>	<b>52</b>
<b>7 Tables &amp; Figures List</b>	<b>59</b>

# 1 Introduction

## 1.1 Using this Manual

Read this manual carefully before attempting to install or start the unit. Retain this manual for reference for the entire operational life of the unit. This manual provides information on the following topics:

- Product overview
- Instructions for physical, and electrical installation of heat pump units
- User's guide

For safety and to achieve the highest levels of performance, always follow the warnings and cautions in this manual when handling and operating the AIRSYS unit.



**Danger.** Emphasizes hazardous conditions that could cause personal injury or death.









**Warning.** Indicates where the operator must proceed with caution to avoid personal injury or damage to property.



**Important.** Indicates technical information critical for proper installation or operation

Table 1-1 Packaging Symbols

Symbol	Description	Symbol	Description
	<b>THIS SIDE UP</b> Shows the orientation of the unit.		<b>NO HOOKS</b> Do not use hooks to lift the packed unit.
	<b>FRAGILE</b> Handle with care.		<b>KEEP AWAY FROM HEAT</b> The unit must be kept away from heat sources.
	<b>PROTECT AGAINST RAIN:</b> The packaged unit must be stored in a dry place.		<b>DO NOT STACK</b>

## 1.2 Model Number Nomenclature

Each unit is identified by a model number, such as CV36N3B-AWAXG-B05XX. The elements in the number are explained in Table 1-2.

Table 1-2 Model Number

1-2	3-4	5-6	7	8	9	10	11	12	13	14	15	16-17	18	19
CV	36	N3	B	-	A	W	A	X	G-	-	B	05	X	X

1-2	CV	<b>Model Series</b> CV: Variable Speed Inverter Compressor; EC Supply Fan; EC Condenser Fan
3-4	36	<b>Cooling Capacity</b> 36: 2~4Ton, 60: 3~6Ton
5-6	N3	<b>Cabinet Size Code</b> H2: 2~4Ton Outdoor, H3: 3~6 Ton Outdoor, N3: All Indoor Cabinet
7	B	<b>Revisions:</b> 2022 Model
8	-	Separator Character “-”
9	A	<b>Power source code</b> A: 208/230V 1PH 60Hz, B: 208/230V 3PH 60Hz, C: 460V 3PH 60Hz
10	W	<b>Control Modules</b> Wire Control
11	A	<b>Refrigerant</b> R410A
12	X	<b>Coil Options</b> X: Standard, C: Standard + Coastal Protection Coated Coils+ Stainless Steel Fastener, E: Option C + Stainless Steel Body
13	G	<b>Color Options</b> X: Tan (Def. Outdoor), G: Gray (Def. Indoor), Z: Bronze, W: White
14	-	Separator Character “-”
15	B	<b>Ventilation Options</b> B: Blank-Off Plate, C: CRV Motorized Fresh Air Damper R: Energy Recovery Ventilator, E: Economizer
16-17	05	<b>Heater Options:</b> 00: No Heater, 05: 5kW (CV36), 06: 6kW (CV60) 10: 10kW (CV36), 12: 12kW (CV60)
18	X	<b>Filter Options</b> X: MERV-8/G4, 3: MERV-13/F7
19	X	<b>Custom Options</b> X: Standard A: 2-10V modulating actuator for CRV or ERV

## 1.3 Acronyms and Abbreviations

Table 1-3 lists acronyms and abbreviations used in this manual.

Table 1-3 Acronyms and Abbreviations

Term	Meaning
A	Ampere, unit of electric current, or rate of flow of electricity
AAST	AIRSYS Authorized Service Technician
AUT/MAN	Automatic/Manual
BMS	Building Monitoring System
CFM	Cubic Feet per Minute
Com	Common
Comp	Compressor
Cond	Condenser
CRV	Commercial Room Ventilator
DC	Direct Current
EC	Electronically Commutated (Refers to variable speed evaporator/supply fan)
ERV	Energy Recovery Ventilator
Evap	Evaporator
FC	Free Cooling
HVAC	Heating, Ventilation, and Air Conditioning
Humid	Humidity
I/O	Input/ Output
kW	Kilowatt
LED	Light Emitting Diode
MC	Mechanical Cooling
N.C.	Normally Closed
N.O.	Normally Open
PSI	Pounds per Square Inch
PWM	Pulse Width Modulation
R	Read Only
RoHS	Restriction of Hazardous Substances Directive
R/W	Read/Write
Temp	Temperature
VAC	Voltage in Alternating Current
VDC	Voltage in Direct Current
EVI	Enhanced vapor injection



## 2 Product Overview

The AIRSYS FOCUS IQ™ Indoor Heat Pump is a self-contained energy efficient heating and cooling system, which is designed to offer maximum indoor comfort at a minimal cost without outside space. General airflow diagram is shown in Figure 2-1.

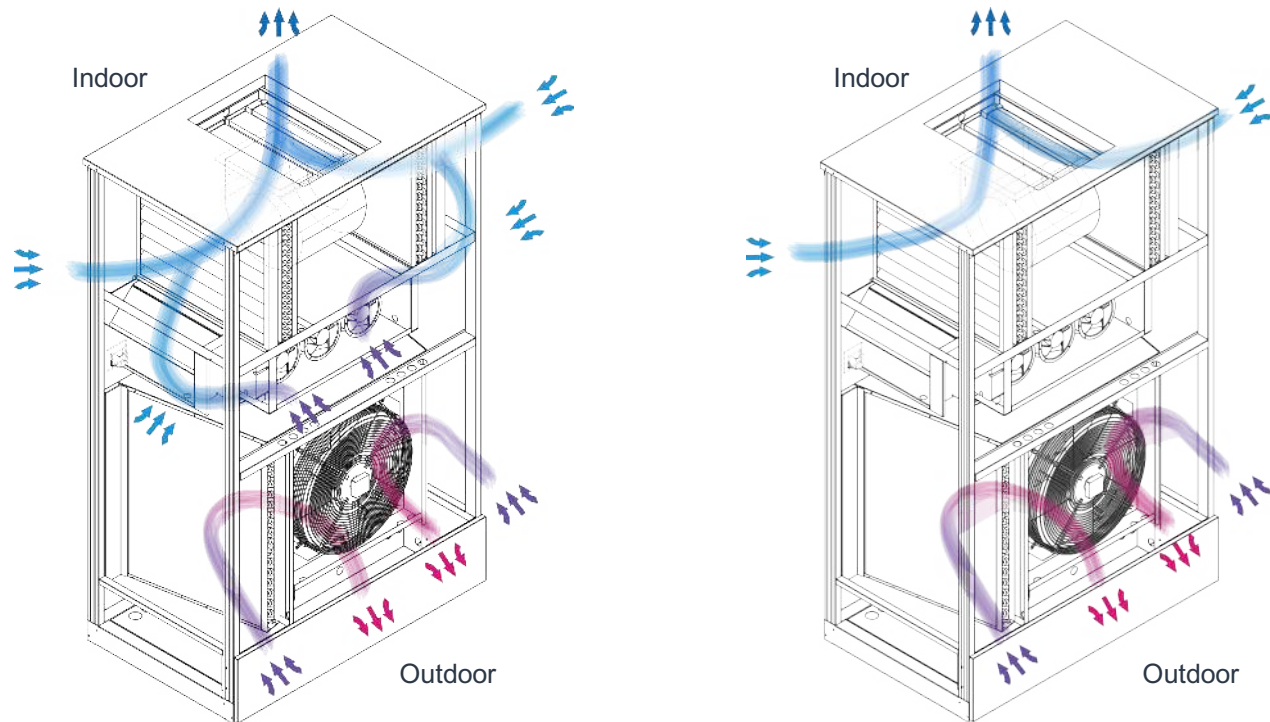


Figure 2-1 Basic Operation

The unit has built-in filters. If using additional return filters, filters must be of sufficient size to allow a minimum airflow velocity of 400fpm.

## 2.1 Ventilation Options

### 2.1.1 Blank Off Plate

The Blank Off Plate prevents outside air from entering the building. All capacity and efficiency ratings are based on installation of the blank off plate. This is recommended for maximum energy efficiency if no ventilation is needed.

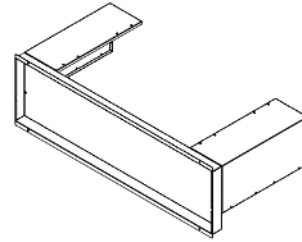


Figure 2-2 Blank Off Plate

### 2.1.2 Commercial Room Ventilator (CRV)

The power open, spring close, type fresh air damper allows outside fresh air to enter the building. The adjustable actuator allows varying amounts of outside air to enter the building.

There are (7) blade positions to adjust the airflow allowed into the building. See Table 2-1 below,

Table 2-1 CRV Fresh Air Flow Data

Damper Position	CV36N3*/CV60N3* (CFM)
ON	470 (Default)
1	460
2	450
3	440
4	430
5	410
6	360

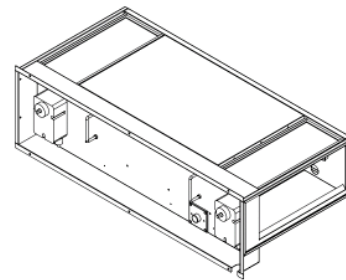


Figure 2-3 Commercial Room Ventilator

### 2.1.3 Energy Recovery Ventilator (ERV)

The energy recovery ventilator harvests energy contained in the exhaust air by mixing it with fresh air across a stationary cubic heat exchanger. The filter medium is designed to be pulled out for easy cleaning and replacement.

There are (7) blade positions to adjust the airflow allowed into the building. See Table 2-2 below,

Table 2-2 ERV Fresh Air Flow Data

Damper Position	CV36N3*/CV60N3* (CFM)
ON	450 (Default)
1	420
2	380
3	310
4	210
5	130
6	80

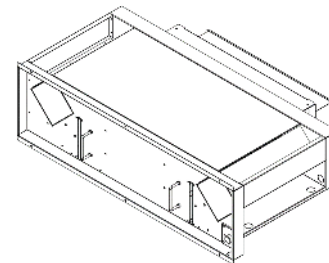


Figure 2-4 Energy Recovery Ventilator

## 2.2 Required Installation Accessories

### 2.2.1 Window Duct Frame (Wall Sleeve)

Window duct frame allow smooth wall/window transition to the exterior of the building and separates exhaust air from fresh air intake to ensure efficient operation. Available for 8 or 13in window depth.

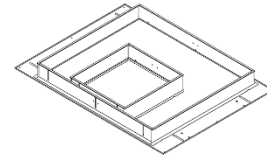


Figure 2-5 Window Duct Frame

## 2.3 Optional Installation Accessories

### 2.3.1 Base Extension

Base extension elevates the indoor unit when needed. The extension supports the weight the unit and provides cable entry. Available in 3, 6, 9, 11 and 14 in height.

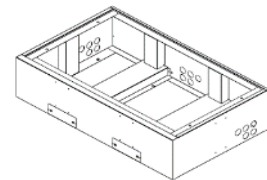


Figure 2-6 Base Extension

### 2.3.2 Top Cover Panel

Covers transition to ducting from the top of the unit. Can be custom cut in the field for flexible height. Maximum height 8 in.

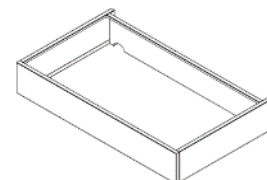


Figure 2-7 Top Cover Panel

### 2.3.3 Free Discharge Plenum

Free discharge plenum supplies horizontal air flow directly at the top of the indoor HVAC. Includes adjustable grille. Available in 8 or 12in height.

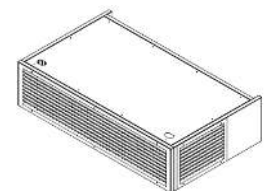


Figure 2-8 Free Discharge Plenum

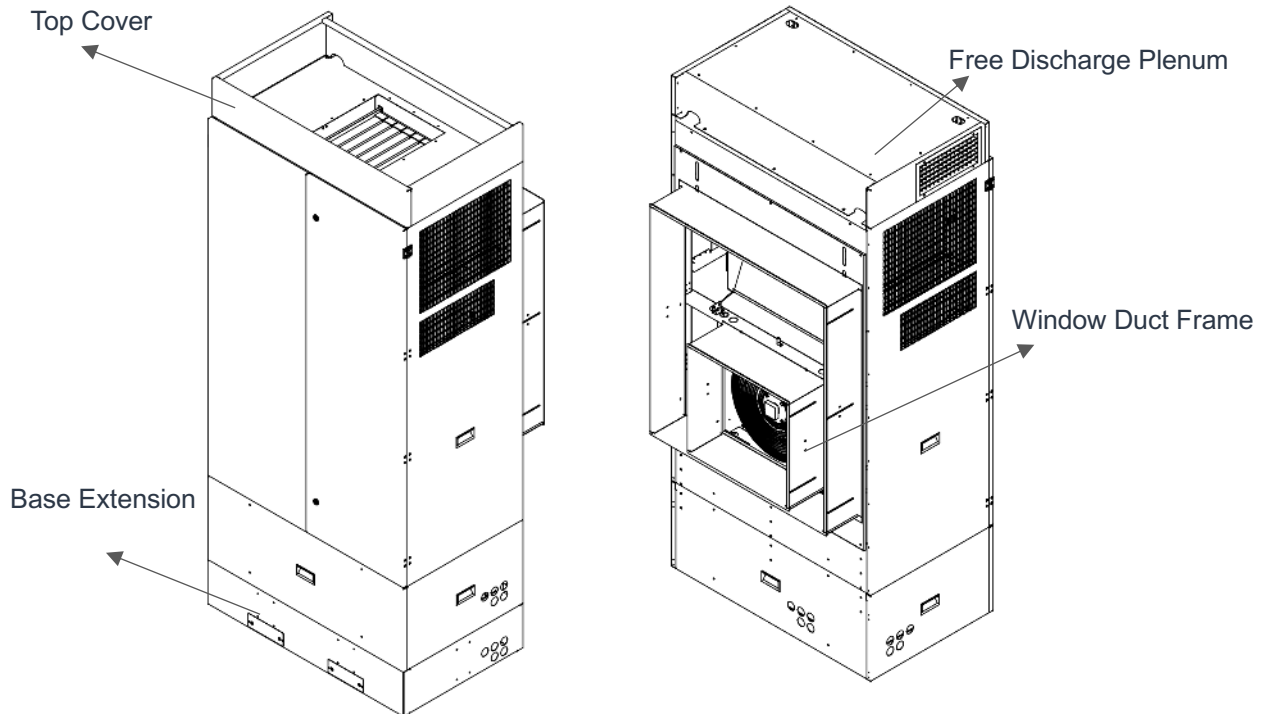
### 2.3.4 Side Cover Panel

Covers side transitions to walls. Can be custom cut in the field for flexible height. Available in 4, 6 or 10 in width.



Figure 2-9 Side Cover Panel

### 2.3.5 Optional Installation Schemitic



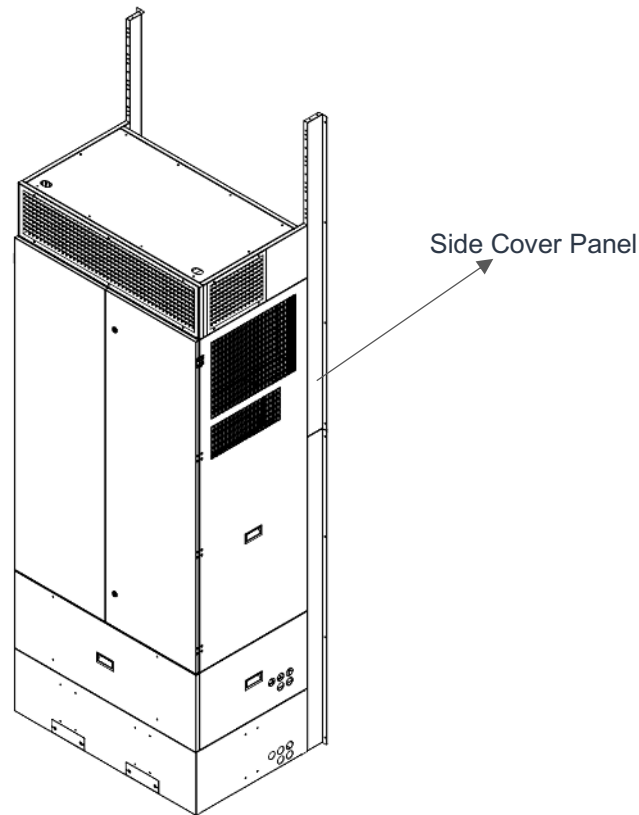


Figure 2-10 Optional Installation Schematic

## 2.4 Heater Options

### 2.4.1 PTC Electrical Heater

The PTC electrical heater has both fast thermal response time and low inrush current. A protection device will automatically cut current when unsafe levels are reached. The outer edge of the PTC heating component is designed with double insulation. When in contact with metal, it will not cause short circuits

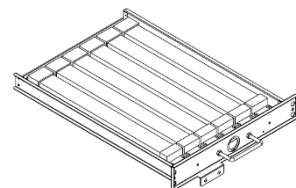


Figure 2-11 PTC Electrical Heater

## 2.5 Filter Options

### 2.5.1 Non-Standard Filters

2" MERV8/G4 pleated filters are standard with each unit. The filter slides into for easy serviceability. This filter can be serviced from the outside by removing the filter access panel. Filters are also available in MERV13/F7.

# 3 Installation

## 3.1 Installation Preparation

Unpack the unit carefully. Some parts are packed loosely and may move as the packaging is opened. Before discarding the box, check the packaging carefully for any parts or documents inside. Refer to Table 3-1 on Page 18 for the complete list of materials shipped with each unit.

Check for the following:

- The supply voltage meets the requirements as designated: 197-506VAC.
- The install location is clean and free of excess dirt and dust.
- Ensure that minimum clearance requirements are met (see Table 3-5 on page 23)
- The altitude of the installation is not above 6500ft (2000m).

Also verify that all installer provided items, listed in Table 3-2 on Page 21 are accounted for.



**Danger.** All the installation work must be done by a licensed professional. Installation that does not comply with the instructions herein can result in the loss of warranty coverage. AIRSYS shall not be held liable for any damage caused to persons or objects due to incorrect installation or operation of the units.



**Warning.** All wiring must comply with the local safety standards and building codes under all circumstances.



**Warning:** For outdoor use, the risk of electric shock can cause injury or death. Disconnect all remote electric power supplies before installation.

When no longer in use, disposal of equipment and materials must be compliant with local laws and standards.

### 3.1.1 Delivery

When the units are delivered, be sure to inspect them to verify that they have not been damaged during transport. Also verify that all requested accessories listed on the purchase order have been included.



**Important.** If packaging shows any signs of shipping damage, or potential shipping damage, it is very important to annotate shipping damage on the Bill of Lading prior to signing for the freight. In order to recover for any damage, please take detailed photographs of all the packaging before the external packaging is removed. Once detailed photos of the external packaging have been taken, then the external packaging may be removed so the items can be inspected further. Please document with photos any damage to the equipment that relates directly to the damage observed to the external packaging. Without the detailed photos, it will be very difficult to recover equipment loss.

### 3.1.2 Warranty

The warranty duration is **(60) months from the date of installation**. AIRSYS warrants that its products will be free from defects in materials and workmanship for a period of (60) months after installation. Additionally, AIRSYS warrants that the compressor is free from defects in materials and workmanship for a period of (60) months.



AIRSYS will furnish, free of charge, all replacement parts for any component failures that occur within the warranty period. The customer is responsible for the cost of shipment of replacement material from AIRSYS Cooling Technologies.

**Note:** Warranty assumes the warranty registration card that accompanied the units in shipment is submitted. If the warranty registration card was not filled out and returned to the supplier, then the warranty will expire (60) months from the date of shipment for all components or (60) month for the compressor.

The warranty does not cover damage to the systems caused by misuse or abuse of the systems such as physical damage due to mishandling. The warranty does not cover damage caused by force majeure.



**Important.** Any mishandling of the equipment or modifications to the equipment, unless agreed upon in writing by AIRSYS, will void the warranty.

### 3.1.3 Moving the Unit

Forklifts are recommended for moving, loading, unloading, and positioning the FOCUS IQ™ unit for installation. If bands or ropes are used to create a sling, make sure that excessive force is not applied to the upper edges of the machines or the package to avoid cosmetic or material damage. When using spacing bars, protective materials are required around the units to prevent damage. To avoid damage to the units while moving or transporting, ensure the units always remain in the upright position.

### 3.1.4 General Safety Rules



**Danger:** Do not carry out any operation on the machines if you do not have sufficient knowledge of the operating principles and have not taken all the precautions that permit the system to operate in safe conditions.



**Warning:** Work on the electric board only after verifying prime power is disconnected. Do not apply power to the machine with the covers removed.



**Important:** Before carrying out inspections, maintenance operations, and safety checks, follow all accident-prevention standards such as wearing protective goggles and gloves.

## 3.2 Required Materials

### 3.2.1 AIRSYS Supplied Materials

Table 3-1: AIRSYS System Shipping Materials List has all the material supplied by AIRSYS. After opening the package, verify that all items are accounted for. If any material is missing, please contact an AIRSYS distribution center using the following information:

AIRSYS Cooling Technologies

support@air-sys.us

855-874-5380

Table 3-1 AIRSYS Provided Materials

**System Shipping Materials List**

Item	Part #	Item Description	Comments	CV36N2B	CV60N3B
1	4070143170	CV36N3B-AWA	Main Unit		
2	4070143180	CV60N3B-AWA	Main Unit		
3	4070143065	CV36N3B-BWA	Main Unit	Corresponding model	Corresponding model
4	4070143075	CV60N3B-BWA	Main Unit		
5	4070143405	CV36N3B-CWA	Main Unit		
6	4070143505	CV60N3B-CWA	Main Unit		
7	-	Shipping list	In document pack	1	1
8	-	Installation and operation manual	In document pack	1	1
9	-	Blank nameplate	In document pack	1	1
10	1010517510	Temperature sensor bracket	For installing the supply air temperature sensor	1	1
11	8458716720	Cable ties, G370HDB L=370mm	In document pack	15	15
12	7354006900	Nylon washers , , $\phi 10.6 * \phi 5.2 * 1.2$	For door panel backup, in the document pack	6	6
13	8551016130	Hexagon flange bolts with cross recess, M5*16	In document pack, for door panel backup	6	6

**Ventilation Options**

Item	Part#	Item Description	Unit	Qty.	Comments
1	2121009350	Blank-Off Plate	EA	1	Per unit
2	2121009340	CRV Motorized Fresh Air Damper	EA	1	Per unit
3	2121008700	Energy Recovery Ventilator	EA	1	Per unit

Note: Materials for installation are included when ventilation options are ordered separately.

**Required Installation Accessories**

Item	Part#	Item Description	Unit	Qty.	Comments
1	2121009720	8" wall sleeve	EA	1	Refer to Table 3-7 for wall sleeve selection
2	2121009730	13" wall sleeve	EA	1	Refer to Table 3-7 for wall sleeve selection

Note: Materials for installation are included when required installation accessories are ordered.

**Optional Installation Accessories**

Item	Part #	Item Description	Unit	Qty.	Comments
1	2121009810	6 in Base Extension	EA	1	Per unit
2	2121009780	9 in Base Extension	EA	1	Per unit
3	2121009760	14 in Base Extension	EA	1	Per unit
4	2121009500	8 in Free Discharge Plenum	EA	1	Per unit
5	2121009510	12 in Free Discharge Plenum	EA	1	Per unit
6	2121009520	Cover Panel - Top	EA	1	Per unit
7	2121009530	4 in Cover Panel –Side	EA	1	Per unit
8	2121009810	6 in Cover Panel –Side	EA	1	Per unit
9	2121009820	10 in Cover Panel –Side	EA	1	Per unit
10	8252509870	2" Standard MERV-8/ G4	EA	2	Per unit
11	8252510380	2" MERV-13/F7	EA	2	Per unit

Note: Materials for installation are included when optional installation accessories are ordered.

**Heater Options List**

Item	Part #	Power Supply	CV36N3B	CV60N3B	CV36N3B	CV60N3B
			Nominal Heating Capacity			
1	2121013940	230VAC/1P/60HZ	5kW	6kW	--	--
2	2121013950	230VAC/3P/60HZ	5kW	6kW	--	--
3	2121012490	460VAC/3P/60HZ	5kW	6kW	--	--
4	2121009410	230VAC/1P/60HZ	--	--	10kW	12kW
5	2121013680	230VAC/3P/60HZ	--	--	10kW	12kW
6	2121013620	460VAC/3P/60HZ	--	--	10kW	12kW

Note: Materials for installation are included when heater options are ordered separately.

**Service Options List**

Item	Part #	Item Description	Unit	Qty.	Comments
1	8453514720	Display Cover, PGN100FRM1, PGD1	EA	1	Need to order both for onsite troubleshooting.
2	8453514700	Carel PGD 1 Display	EA	1	



### 3.2.2 Materials to be Supplied by Installer

Table 3-2 lists items required for installation that must be supplied by installer. The wire length and gauge depend on site-specific conditions. However, recommendations are provided.

Table 3-2 Installer Supplied Materials

Item	Item	Qty	Description	Comments
1	AC power supply cable	Same as number of units	1 set of two-wire cable per unit	Refer to Summary Electrical Ratings; Note the electric heater capacity.
2	AC panel breakers	1 or 2 per unit	1 for single circuit configuration, 2 for dual circuit configuration	Refer to Summary Electrical Ratings; Note the electric heater capacity.
3	Silicone sealant	As needed	Commercial grade outdoor silicone sealant	
4	Nylon zip-tie	As needed	Small nylon zip tie	For properly dressing cables and harnesses
5	Thermostat	1	Thermostat should have at least 2 stage heat pump compatibility	Required if not supplied by factory/distributor
6	Thermostat cable	As needed	24-32AWG	
7	M10 bolts	4	Secures unit to floor	Length depends on the floor material and thickness.
8	Window Louvre	1	Exterior louvre/grille	Required if not supplied by factory/distributor or custom louvre required
9	Indoor Grille	2	Indoor supply/return grille	Required if not supplied by factory/distributor based on application.

### 3.2.3 Summary Electrical Ratings (Wire Sizing)

Table 3-3 Electrical Ratings

Model	Heater Size	Single Circuit		Dual Circuit #1		Dual Circuit #2	
		MCA	MOP	MCA	MOP	MCA	MOP
CV36N3B-A	0kW	26	40	--	--	--	--
	5kW	50	60	26	40	27	30
	10kW	77	80	26	40	54	60
CV60N3B-A	0kW	38	60	--	--	--	--
	6kW	71	80	38	60	33	35
	12kW	103	110	38	60	65	70
CV36N3B-B	0kW	16	25	--	--	--	--
	5kW	30	35	16	25	16	20
	10kW	45	50	16	25	31	35
CV60N3B-B	0kW	24	35	--	--	--	--
	6kW	43	50	24	35	19	20
	12kW	61	70	24	35	38	40
CV36N3B-C	0kW	8	10	--	--	--	--
	5kW	15	15	--	--	--	--
	10kW	23	25	--	--	--	--
CV60N3B-C	0kW	12	15	--	--	--	--
	6kW	22	25	--	--	--	--
	12kW	31	35	--	--	--	--

**NOTE:**

MCA = Minimum Circuit Ampacity (Wiring Amps)

MOP = Maximum Overcurrent Protection (HACR Breaker Size)

\* Under 230VAC/1P/60HZ and 230VAC/3P/60HZ, the heater on Dual Circuit#2 while other loads on Dual Circuit#1.

\*Under 460VAC/3P/60HZ, the heater and other loads on Dual Circuit#2 while compressor inverter on Dual Circuit#1

## 3.3 Physical Installation

### 3.3.1 Select the location for Installing the Unit

Select the location where the unit will be installed. Be certain that the floor can support the weight of the unit and that sufficient space is available for easy operation and installation. Refer to Table 3-4 below for Unit Dimensions and Weights by model number.

Table 3-4: Unit Dimensions and Weights

Model	Unit	CV36N3B	CV60N3B
Width	in	48 1/16	48 1/16
Depth	in	29 1/2	29 1/2
Height	in	94 1/2	94 1/2
Weight	lbs	1,000	1,045

### 3.3.2 Clearances

Table 3-5: Clearances

Item	Unit	Recommended	Minimum
Side (To another unit)	in	48"	24"
Side (To airflow obstruction)	in	24"	12"
Front	in	48"	36"
Supply air	in	48"	36"

#### Important



1. The floor selected for the unit must be strong enough to support both the static weight of the unit and the vibration of a unit under operation.
2. For any unit equipped with electrical heat, the supply grille should be at least three inches away from combustible material from the front side.

**NOTE:** To assist in the installation process, the following figures provide the unit dimensions to a tolerance of  $\pm 1/16"$  (2 mm).

### 3.3.3 Physical Dimension

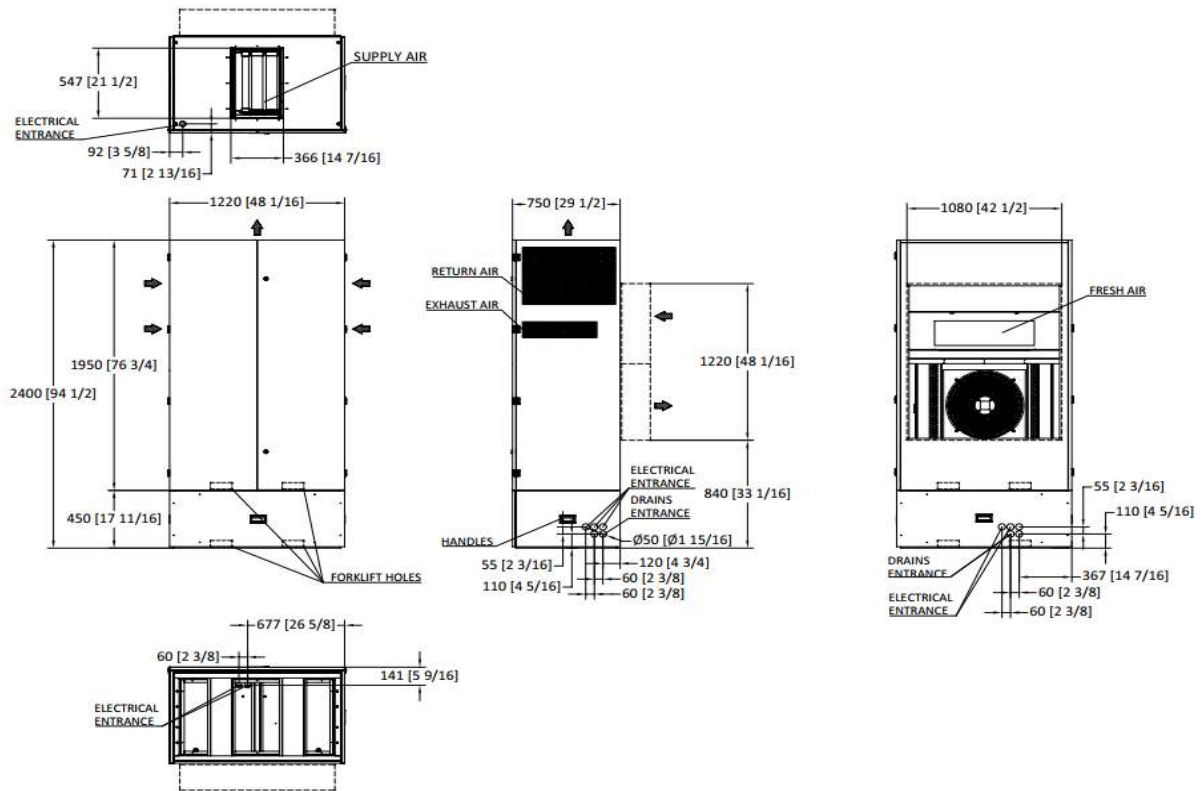


Figure 3-1 Physical Dimension



### 3.3.4 Make Openings in the Wall

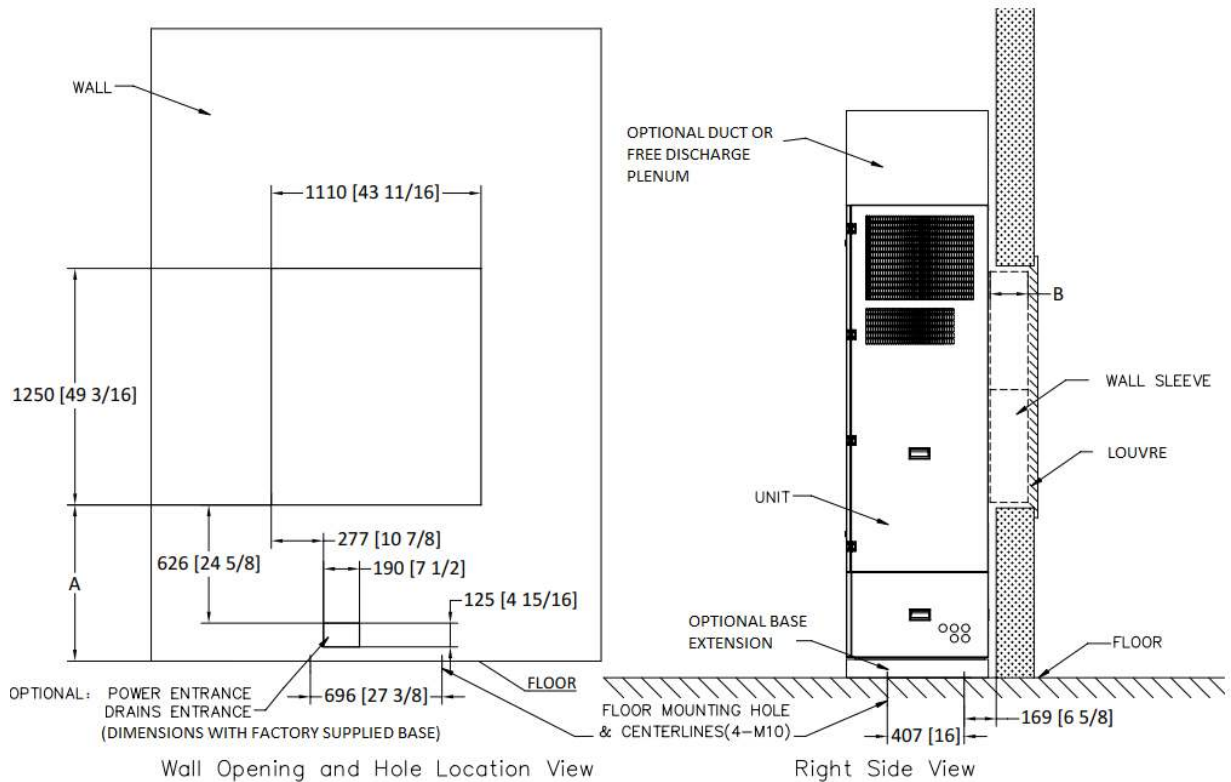


Figure 3-2 Wall Opening and Floor Hole Location View

#### Opening Height

Table 3-6 Opening Height

Dimension	No Base	Standard Base	Base + 6in Extension	Base + 9in Extension	Base + 14in Extension
A	375 (14 3/4)	825 (32 1/2)	977 (38 1/2)	1053 (41 1/2)	1,180 (46 1/2)

#### Wall Thickness

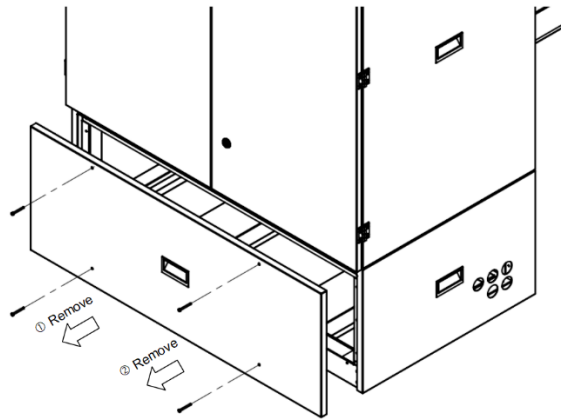
Table 3-7 Wall Thickness

Dimension	8 in Wall Sleeve	13 in Wall Sleeve
B	117-207 (4 1/2 - 8)	190-340 (7 1/2 - 13 1/4)
Wall Thickness (w/ 1in Louvre)	142 - 232 (5 1/2 - 9)	215-365 (8 1/2 - 14 1/4)
Wall Thickness (w/ 2in Louvre)	168-258 (6 1/2 - 10)	241-391 (9 1/2 - 15 1/4)

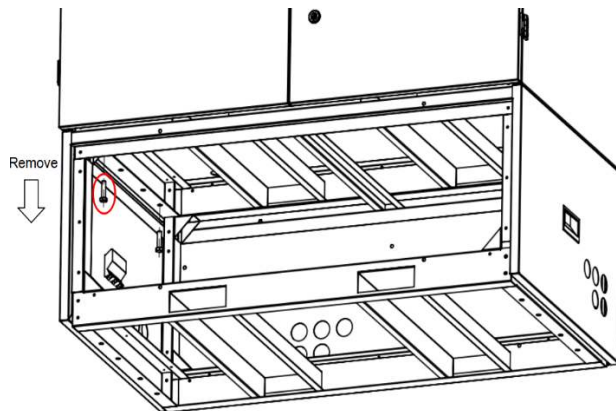
### 3.3.5 Disassembly of Base

Base can be separated from the main section to clear height limits. To Figure 3-3 Disassemble the Base

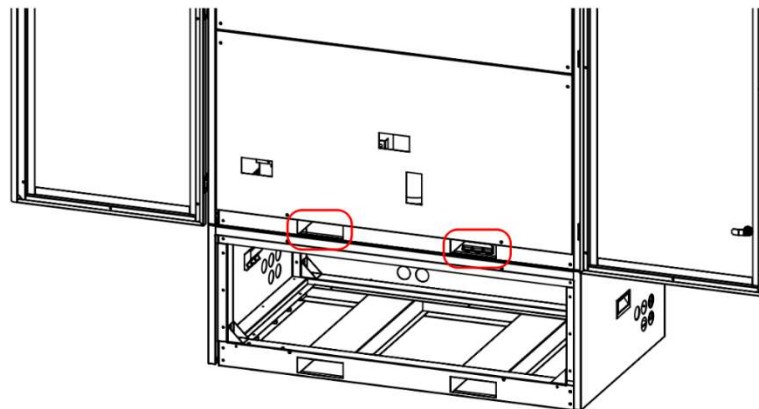
1. Remove front cover



2. Remove 4x M8 bolts



3. Use forklift to lift and move the main section of unit.



4. To reinstall the base, move main section onto base and secure using 4 M8 bolts

Figure 3-3 Disassemble the Base

#### 3.3.5.1 Install Figure 3-4 Configuring Wall Sleeve

1. Remove factory installed screws to allow configuring the telescoping wall sleeve.
2. Pull out inner section to desired depth
3. Secure sleeve with screws

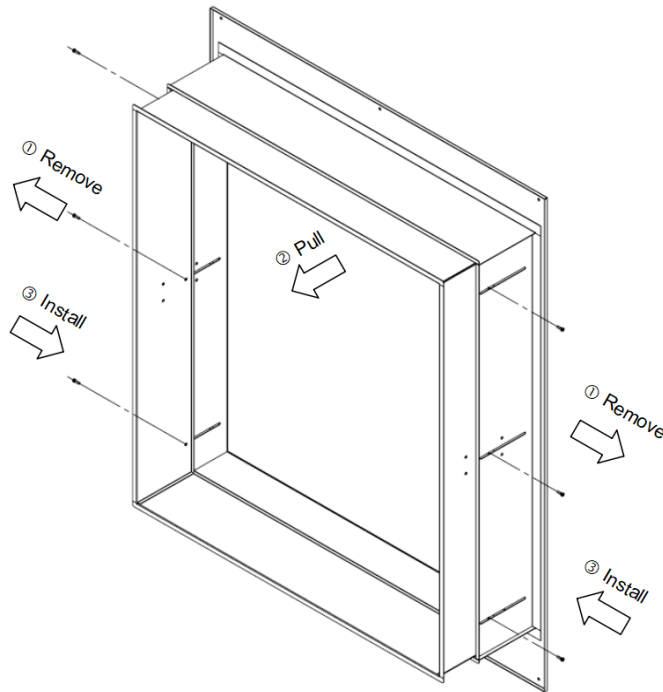


Figure 3-4 Configuring Wall Sleeve

4. Apply insulation around wall sleeve

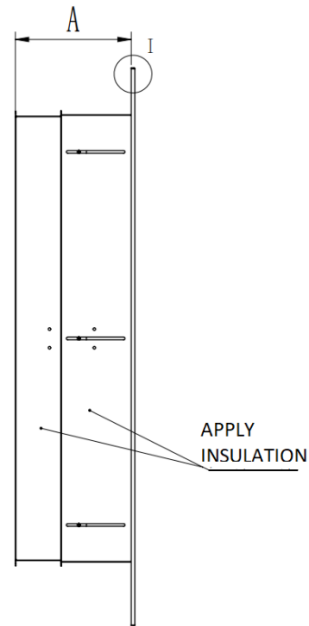


Figure 3-5 Wall Sleeve Insulation

5. Install outer sleeve on unit.

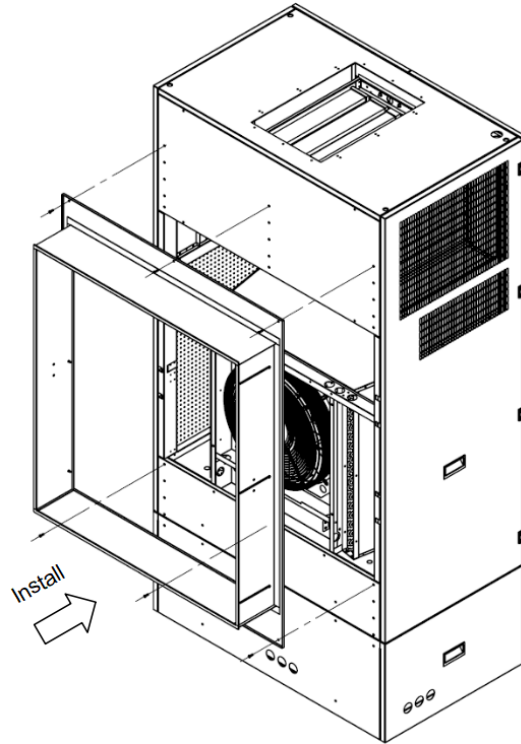


Figure 3-6 Outer Sleeve

6. Repeat step 1-5 for inner sleeve

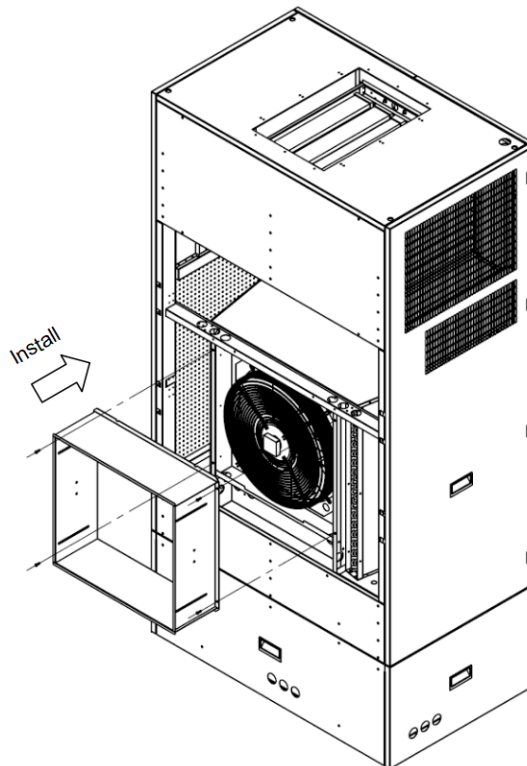


Figure 3-7 Inner Sleeve

### 3.3.5.2 Install Weather Stripping

Before mounting the unit, apply neoprene weather stripping around the openings to ensure an airtight closure, as shown in Figure 3-8 Install Weather Stripping.

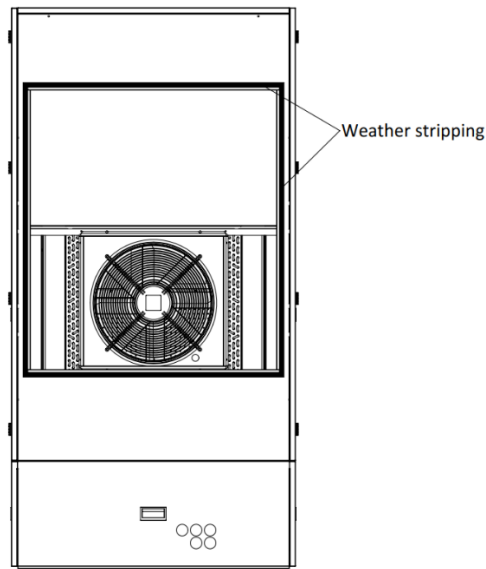


Figure 3-8 Install Weather Stripping

### 3.3.5.3 Position the Unit



**Important:** The unit is heavy. Exercise caution while putting the unit in place to prevent damage to the unit or personnel.

The unit must be installed in a level position. An inclination of more than 6-7 mm ( $\pm 1^\circ$ ) could cause the condensation tray to overflow.

Lift the unit from below with lifting equipment or tools. Use the screws (installer supplied) to affix the unit on the floor. Generally, this is done by following these steps:

1. Remove front cover
2. Position the unit next to the wall.
3. Secure unit using one M10 (3/8") Bolts

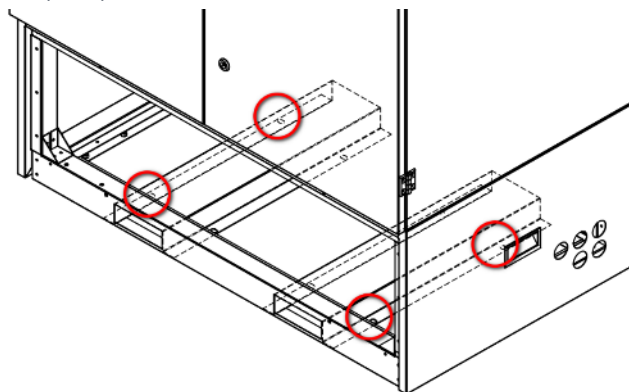


Figure 3-9 Securing to Floor

### 3.3.6 Seal Space between Wall Sleeve and Opening

To prevent unintended moisture and air penetration seal the gap with a layer of silicone sealant (installer provided, see Table 3-2 Installer Supplied Materials)

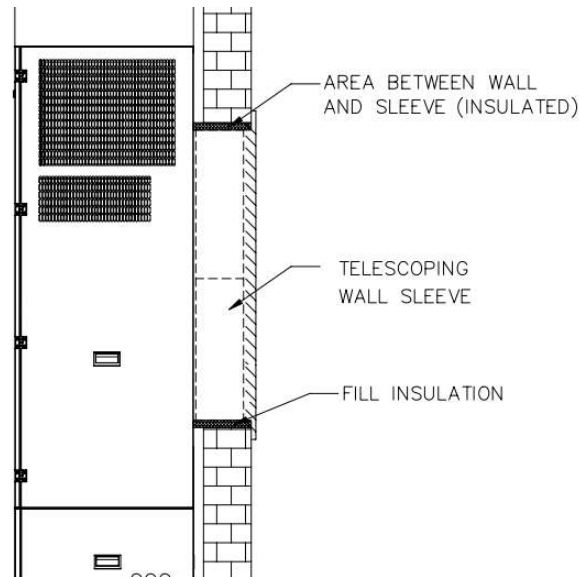


Figure 3-10 Gap Seal

### 3.3.7 Install Louver (Grille)

Install Louver on the exterior of the wall opening.

### 3.3.8 Duct Work

All duct work shall be properly sized for the airflow requirement of the equipment. A minimum of 1" of fiberglass insulation or equivalent is recommended to prevent energy loss and moisture build up. All joints shall be sealed to prevent leakage. Flexible joints shall be used to reduce noise transmission.

Maximum design external static pressure is 0.3in w.c. (75Pa). Excessive pressure may cause equipment failure and/or fire hazard.

### 3.3.9 Install Ventilation Options

Following steps below to install different ventilation options. (Refer to Page 11 for ventilation options)

### 3.3.9.1 Install CRV

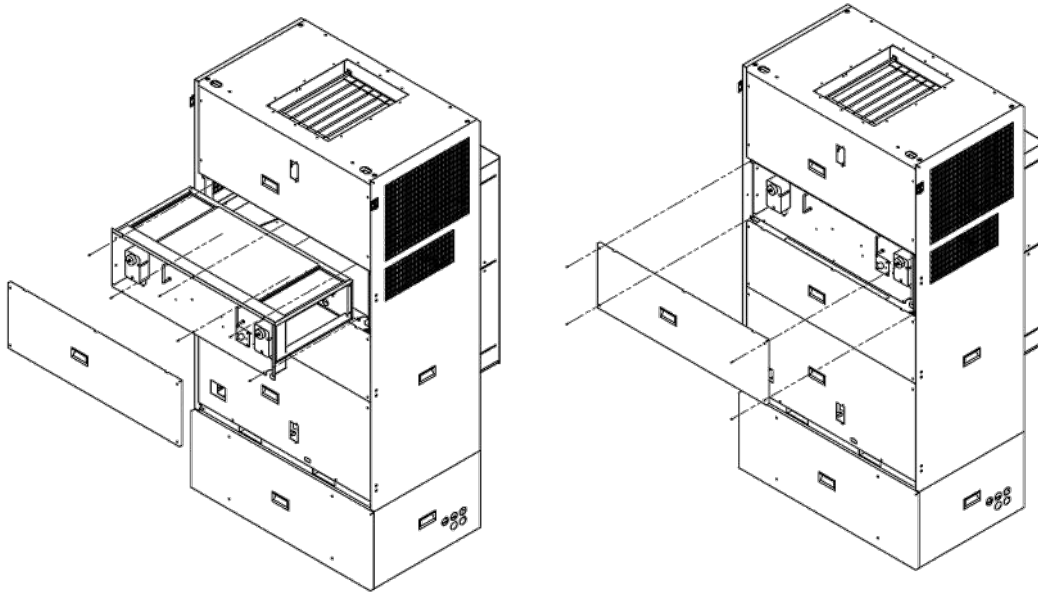


Figure 3-11 Install CRV

### 3.3.9.2 Install ERV

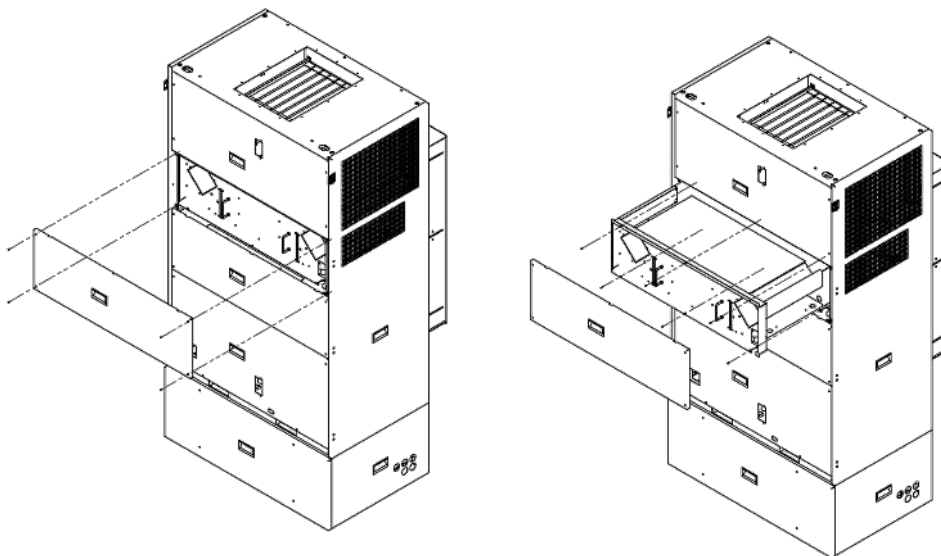


Figure 3-12 Install ERV

### 3.3.9.3 Install Blank-Off Plate

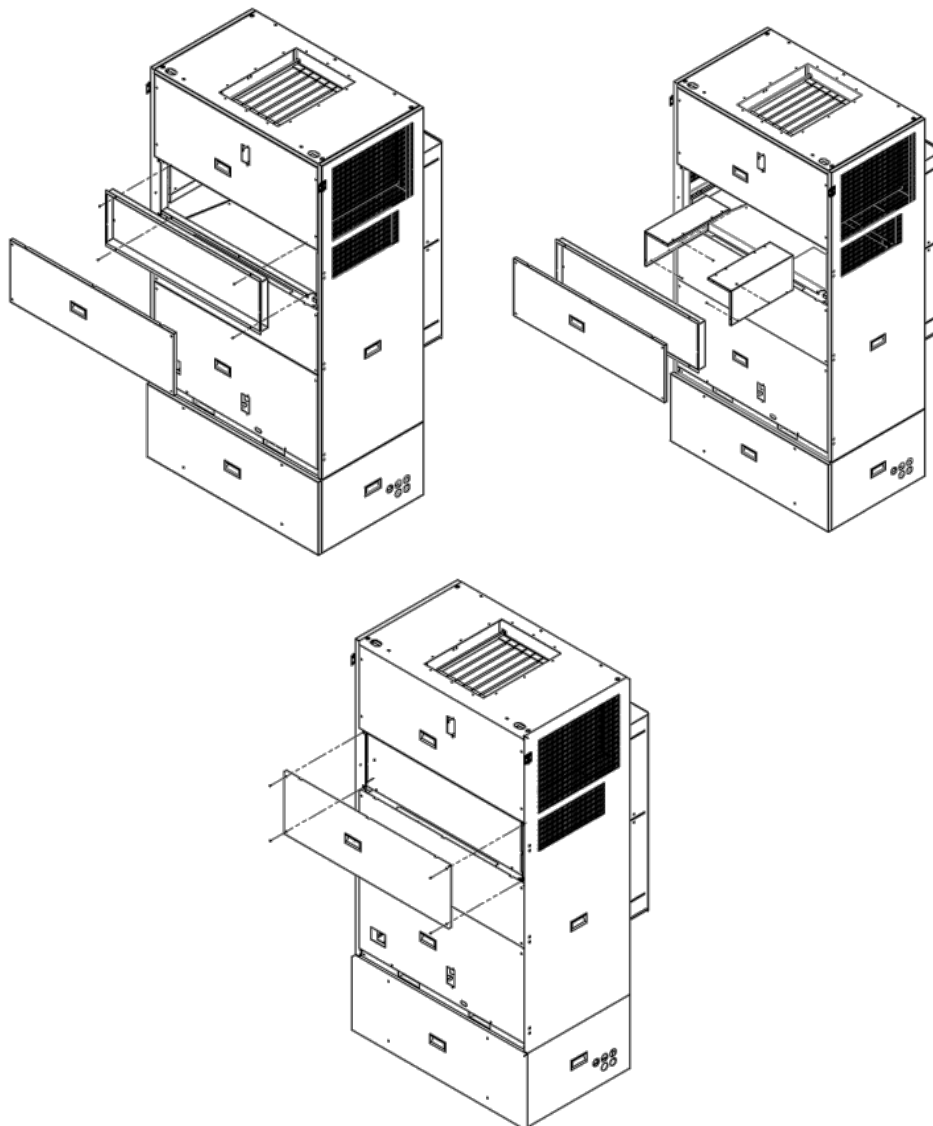


Figure 3-13 Install Blank-off



### 3.3.10 Installing Air Supply Air Sensor

For better de-hum performance, installing the supplier air temperature sensor in the supply duct at least 40 in away from the air supply is recommended.

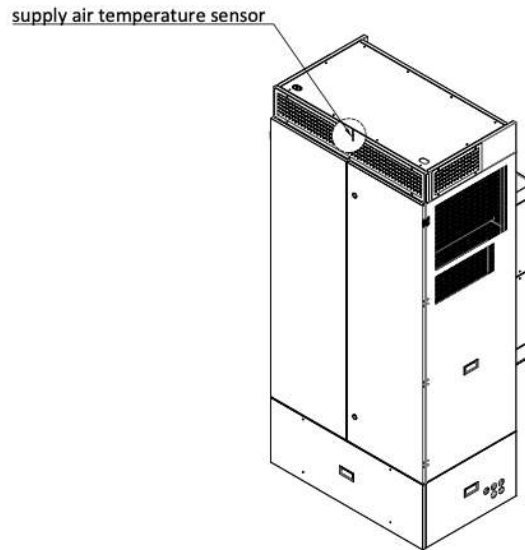


Figure 3-14 Sensor Installation in Plenum

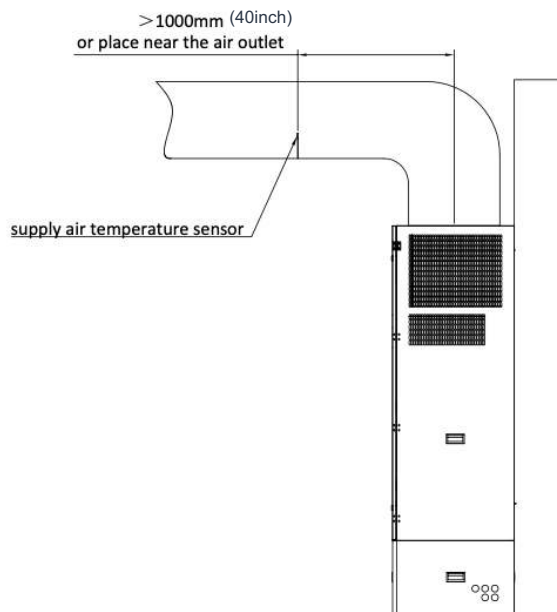


Figure 3-15 Sensor Installation in Duct

## 3.4 Complete Electrical Connections

The unit shall be installed in accordance with National Electrical Code (NEC) regulations.

### 3.4.1 Cautions



**Danger:** Only an authorized service technician should make the electrical connections to the heat pump unit.



**Important:** The electrical wiring of the unit must comply with IEC standards or with appropriate national standards.



**Danger:** The power supply must be disconnected or turned off before working on the unit.



**Important:** Noncompliance with these instructions may cause damage to the unit. Not following instructions can void the warranty.



**Important:** No modification to the unit's electric circuit is allowed. If a change is required, it must be authorized by AIRSYS in writing.

### 3.4.2 Wiring-Main Power

Refer to Table 3-3 on page 22 for electrical ratings. All wiring must conform to all applicable national and local codes.

The unit rating plate lists a maximum fuse or circuit breaker size that is to be used with the equipment. The correct size must be used to ensure proper operation of the units.

Units can be wired with either a single or a dual circuit. See the instructions below for wiring each type of power input.

#### Single circuit connection:

- Connect main power to circuit breaker QS1

#### Dual Circuits connection:

- Disconnect factory jumper from QS1 to QS2
  - Diagram showing where to remove the Jumper.
  - Diagram showing where QS1 and QS2 location
  - Connect Circuit #1 power supply to QS1
  - Connect Circuit #2 power supply to QS2

See Figure 3-16 and

Figure 3-17 below for the location of QS1 for single circuit and QS1 and QS2 for dual circuit.

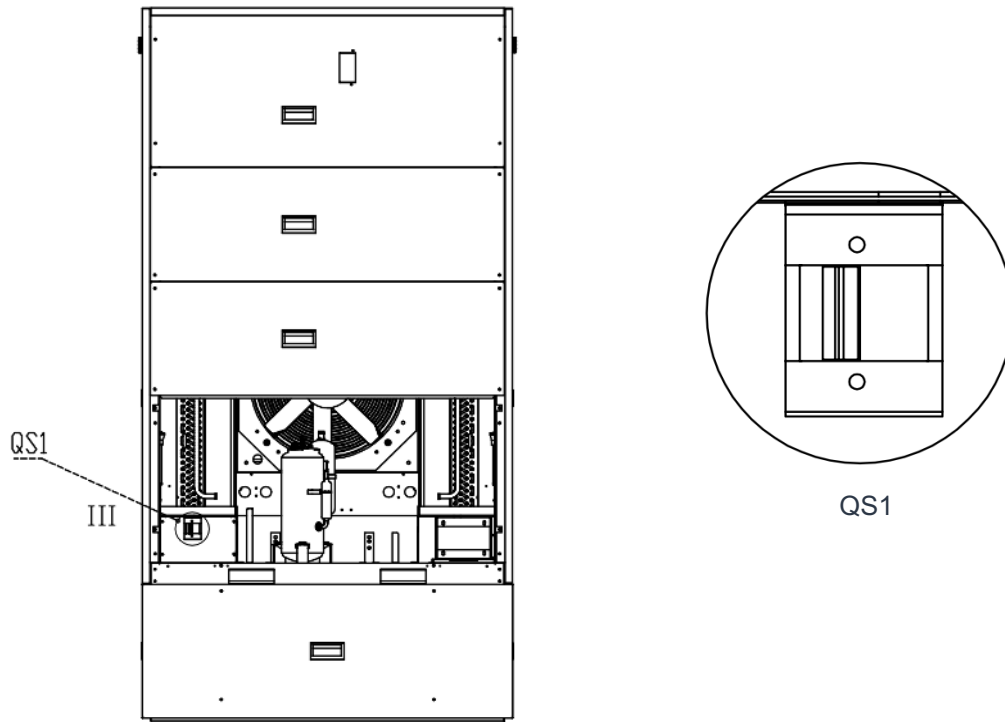


Figure 3-16 Single Circuit QS1 Location

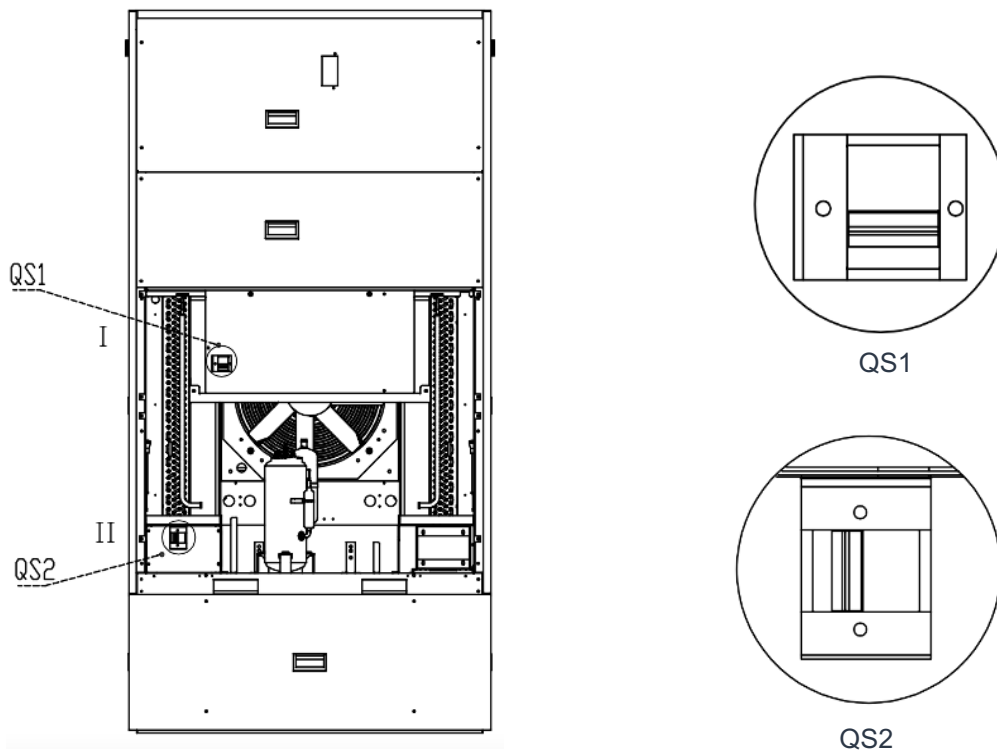


Figure 3-17 Dual Circuit QS1/QS2 Location

### 3.4.3 Wiring-Low Voltage Wiring

Control wiring from the thermostat is landed on a terminal strip inside the unit. The Table 3-8 below indicates which terminals will be energized for system functions.

Table 3-8 Low Voltage Wiring

Function	G	O	Y1	Y2	W2	Dehum.
Fan Only	X					
Low Speed Cool	X	X	X			
High Speed Cool	X	X	X	X		
Low Speed Heat	X		X			
High Speed Heat	X		X	X		
Electric Heat (Opt.)	X				X	
Dehum. (Opt.)	X	X	X	X	X	X

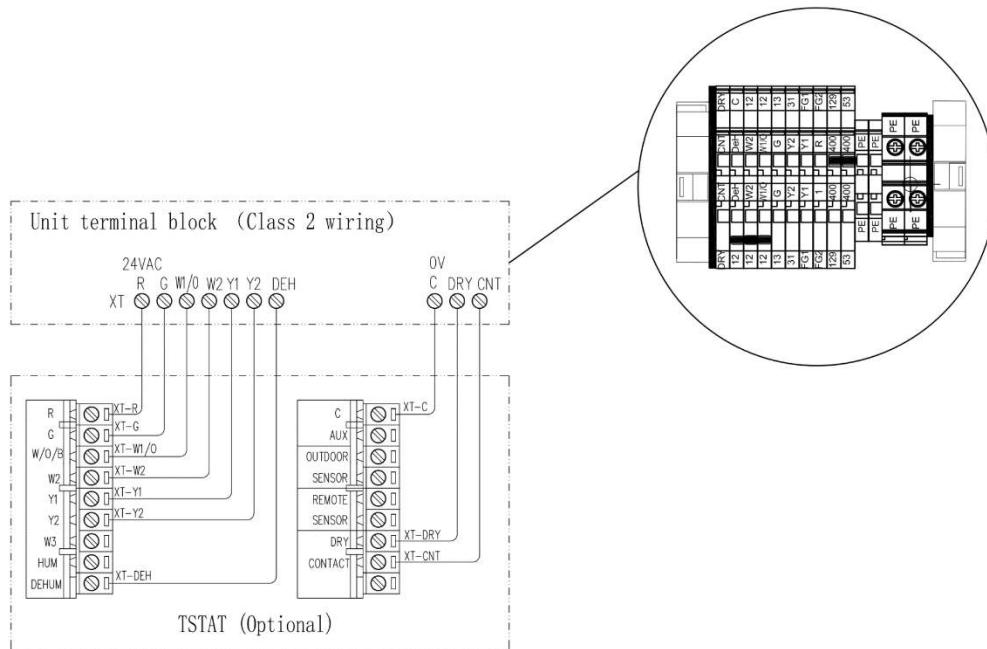
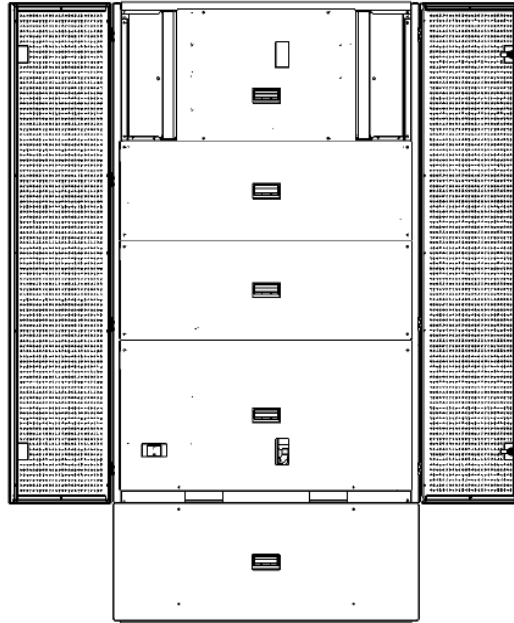


Figure 3-18 Low Voltage Wiring

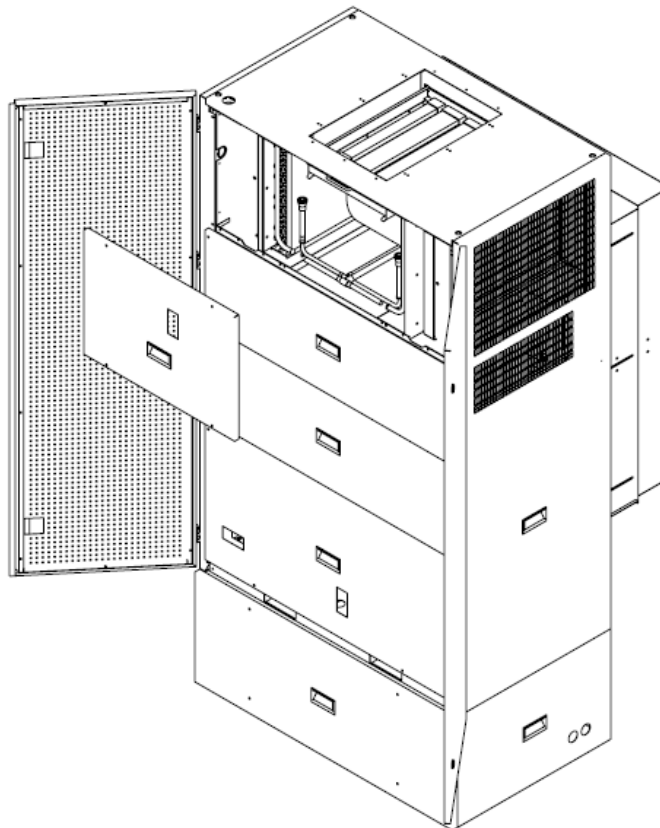
### 3.4.4 Electrical Heater Installation/Replacement (Optional)

See details below for onsite heater installation/replacement

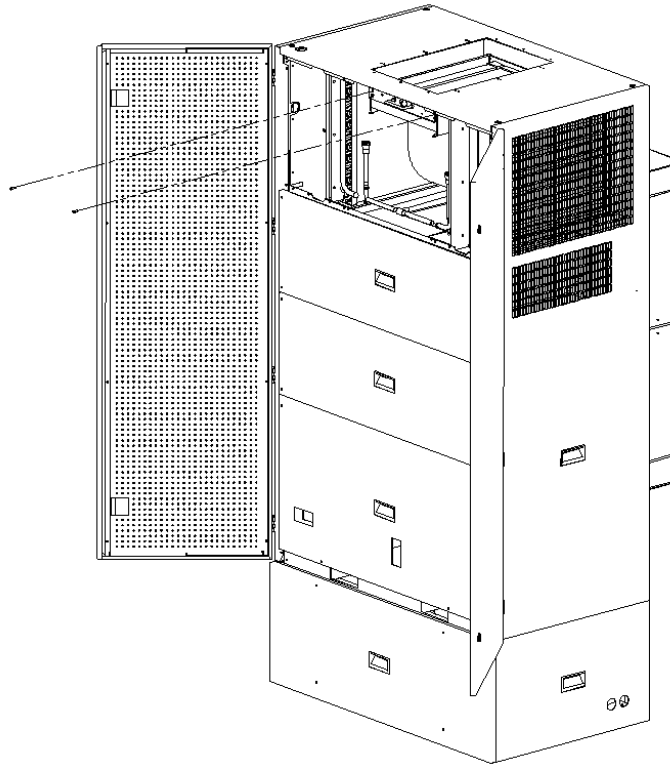
1. Turn the door lock key to open the front panel left component and front panel right component.



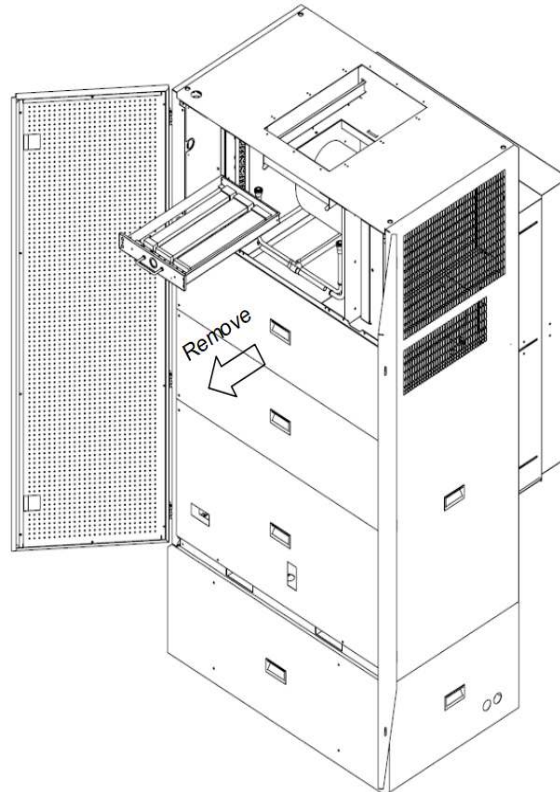
2. Remove 4\*M5 bolt and remove the front cover panel



3. Remove 4\*M5 bolt of the electrical heater



4. Slide off electrical heater and remove the electrical heater.



Note: Follow procedures above to put the new heater back in.

5. Wiring the heater.

The main power cable to the electrical heater junction box has been connected at the factory. Customer only needs to connect the heater to the junction box at the site according to the corresponding wiring diagram as shown below.

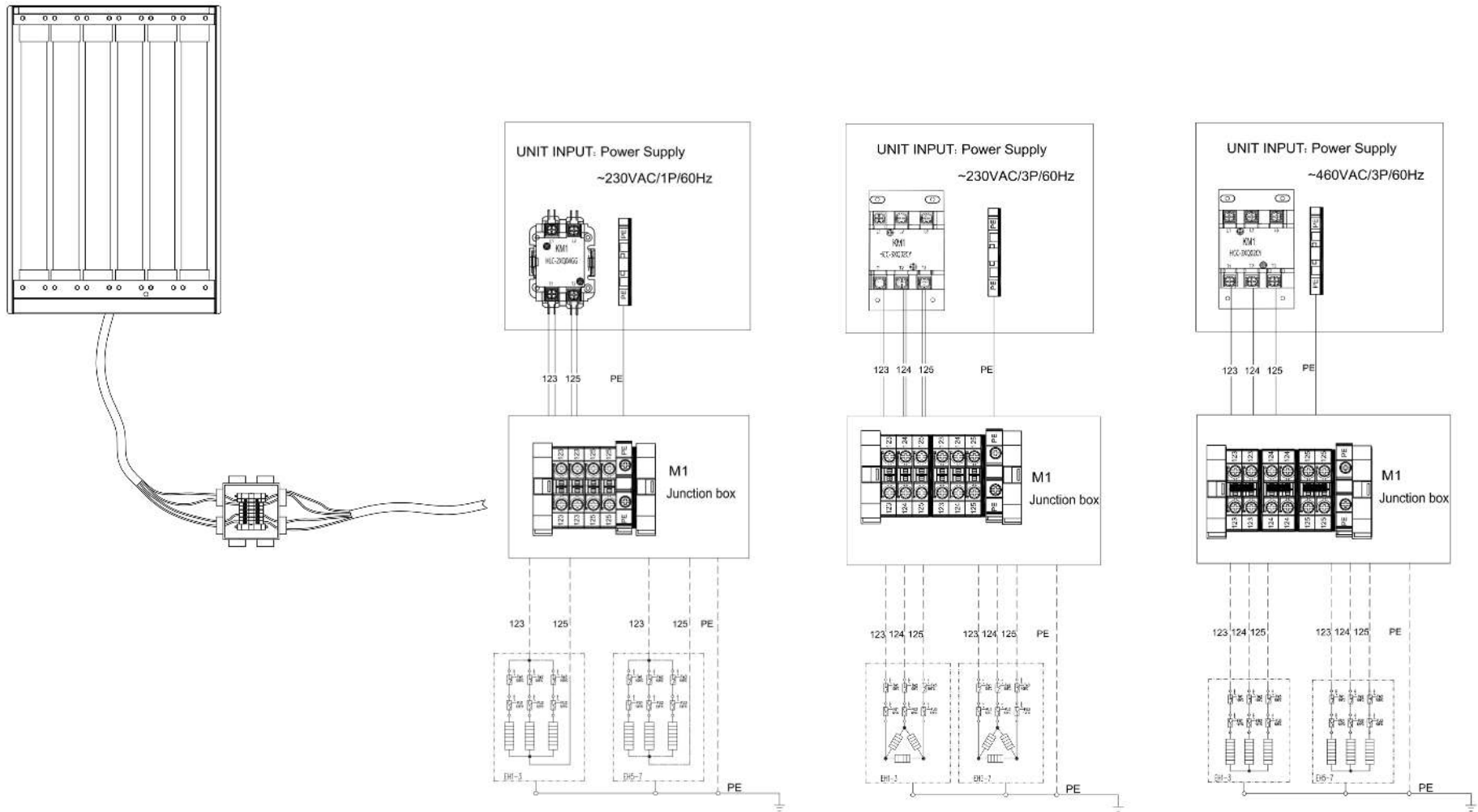


Figure 3-19 Electrical Heater Wiring

### 3.5 Complete the Installation Checklist

The installation checklist should be completed prior to starting the system to ensure that no steps have been omitted. Please complete the installation and wiring checklist below.

**Date:** \_\_\_\_\_ **Unit Factory Number:** \_\_\_\_\_ (refer to the unit name plate)

---

Verify Physical Installation ✓ or ✗

---

Weather stripping has been applied to the inner and outer wall sleeves

---

All machines are securely fastened to the floor

---

Space between wall sleeve and wall penetration sealed with silicone.

---

Verify Electrical Installation

---

The main voltage connections of heat pump unit are secured.

---

The power connections between controller and units are secured.

---

#### 3.5.1 Turn on Component Breakers

After completing the checklist, turn on all breakers of all components in heat pump unit. Then reattach all covers and panels before turning on the breakers in the prime power panel.

#### 3.5.2 Turn on Primary Power

Turn on the primary power breakers on the heat pump unit.



# 4 System Operation

## 4.1 Sequence of Operation

### 4.1.1 Cooling and Heating

All units in the FOCUS IQ™ product line are equipped with variable speed compressors that can vary its frequency to meet capacity demand. The compressor speed will continuously modulate depending on return temperature and cooling/heating stage. When stage 1 command is received on Y1, the system will start the compressor at medium speed and slowly modulate between low to medium speed until a stable return temperature is found. When stage 2 command is received on Y2, the system will increase its speed and modulate between medium and high speed until a stable return temperature is found.

### 4.1.2 Compressor protection

After supplying power to the unit and after compressor has stopped, the compressor will remain off for 3 minutes to prevent short cycling. Low and high pressure alarms, if triggered 3 or more times in an hour, will prevent the compressor from running for 12 hours or until power is reset. A supply fan alarm, if triggered 5 or more times in an hour, will prevent the compressor from running for 12 hours or until power reset.

### 4.1.3 Aux/Emergency Heating

If auxiliary heaters are installed, they are triggered by W2 command.

### 4.1.4 Supply Fan (Indoor Blower)

The system will engage indoor blower when G command is received. If cool/heat command is received without G, the supply fan will also engage.

### 4.1.5 Defrost

Frost can build up on outdoor coil when the heat pump is operating in low temperatures and can adversely affect rate of heat transfer. If conditions are met, the automatic defrost function will engage to prevent frost buildup.

When the heating mode has been running for at least 4 minutes AND coil temperature is below 23°F for at least 10 minutes AND coil temperature is lower than outdoor air temperature by at least 15°F, defrost will engage. When defrost mode starts, the reversing valve is disengaged, and compressor runs at high speed to heat the outdoor coil. Defrost will disengage immediately after coil temperature reaches 64°F OR coil temperature stays above 50°F for 2 minutes OR continuous defrost for 10 minutes.

### 4.1.6 Dehumidification (optional)

When dehumidification is triggered on the *dehum* command, the EEV and compressor will automatically adjust to maximum latent (moisture removal) capacity. The system can seamlessly transition between cooling/heating and dehumidification without restarting the system. Optional reheat is available if called by W2 or configured during installation.

## 4.2 Alarms

When a problem occurs during operation of the unit, the alarm will be expressed by a blinking code on the main control board. Depending on the severity of the alarm, various components are automatically shut down. The system will restart most of these devices without human intervention after a defined delay period. However, manual reset is required when certain alarms occur three or five times within an hour (configurable). A description of all system alarms is given below.

Note: PGD is required to access the alarms. See page 20.

Table 4-1 Alarm List

Alarm Code	Alarm Name	Type	Alarm Explanation	Recommended Actions
AL001	AI_Retain	User reset	Error in the number of retain memory writings	Software faults that need to be checked and handled from software programming
AL002	AI_Err_Retain_Write	User reset	Error in retain memory writings	Software faults that need to be checked and handled from software programming
AL003	AI_Pr_b_CW_InTemp	Auto reset	B1-Room temperature probe error or offline. Compressor will keep the current operation. Unit no other actions.	Indoor temperature sensor failure or indoor temperature sensor offline. Need to check whether the sensor is well wired, or whether the sensor is damaged.
AL005	AI_Pr_b_AmbTemp	Auto reset	B3-Ambient temperature probe error or offline. When the compressor starts, the base speed will be reduced by two stages, the enthalpy expansion valve will not open, and the electronic expansion valve pre-opening will open according to the default opening and will not be adjusted according to the outdoor temperature.	Indoor temperature sensor failure or indoor temperature sensor offline. Need to check whether the sensor is well wired, or whether the sensor is damaged.
AL007	AI_SupplyFanOverload	Auto reset until counter	Supply Fan Overload. Unit will be locked if alarm happens 5 times in 3600s.	When the supply fan speed feedback is lower than the set value (default 100Hz), delayed the time for supply fan failure alarm. Check whether the fan wiring is good, whether the fan is damaged, and if the fan feedback fault set value is appropriate.
AL036	AI_CmprOff_BLDC1	Auto reset	Compressor shut off by inverter alarm. Unit will be locked if alarm happens 3 times in 3600s.	Inverter fault shutdown compressor alarm, generated by the inverter
AL114	AI_InvOffline_PWRP_1	Auto reset	Invertor offline. Compressor stops running.	When the frequency converter off-line alarm occurs, the compressor stops, check whether the invertor is energized, whether the invertor communication line is wired correctly.
AL115	AI_LowSH_1	Auto reset	EEV low Super heat. Compressor stops running.	Low superheat alarm, when the EEV superheat is lower than the low superheat

Alarm Code	Alarm Name	Type	Alarm Explanation	Recommended Actions
				setting, it will report low superheat low alarm, check whether the EEV PID parameters are correct.
AL116	AI_LOP_1	Auto reset	EEV LOP error. Compressor stops running.	Check EEV settings and wiring connection.
AL117	AI_MOP_1	Auto reset	EEV MOP error. Compressor stops running.	Check EEV settings and wiring connection.
AL118	AI_HiTempCond_1	Auto reset	EEV high condensing temperature. Compressor stops running.	Check for potential causes on high condensing temperature.
AL119	AI_LowSuct_1	Auto reset	EEV low suction pressure. Compressor stops running.	Electronic expansion valve low suction pressure alarm. Check for potential cause.
AL120	AI_EEV_1	Auto reset	EEV error. Compressor stops running.	Check EEV settings and wiring connection.
AL121	AI_SelfTuning_1	Auto reset	EEV Self tuning error. Compressor stops running.	Check EEV settings and wiring connection.
AL122	AI_EmergClos_1	Auto reset	EEV emergency close. Compressor stops running.	Check EEV settings and wiring connection.
AL125	AI_RangeError_1	Auto reset	EEV parameter out of Range error. Compressor stops running.	Check EEV settings and wiring connection.
AL126	AI_ServicePosit_perc_1	Auto reset	EEV step out of range. service error. Compressor stops running.	Check EEV settings and wiring connection.
AL127	AI_ValveID_1	Auto reset	EEV ID error. Compressor stops running.	Check EEV settings and wiring connection.
AL128	AI_Low_Press	Auto reset until counter	Low pressure alarm. Unit will be locked if alarm happens 3 times in 3600s	Check for potential causes on low pressure alarm.
AL129	AI_High_Press	Auto reset until counter	High pressure alarm. Unit will be locked if alarm happens 3 times in 3600s.	Check for potential causes on high pressure alarm.
AL130	AI_Pr_b_DscgTemp	Auto reset	Discharge temperature probe error or offline. Compressor stops running.	Check the discharge temperature sensor and the wire connection.
AL131	AI_Pr_b_SuctTemp	Auto reset	Suction temperature probe error or offline. Compressor stops running.	Check the suction temperature sensor and the wire connection.
AL132	AI_Pr_b_DscgP	Auto reset	Discharge Pressure probe error or offline. Compressor stops running.	Check the discharge pressure sensor and the wire connection.
AL133	AI_Pr_b_SuctP	Auto reset	Suction Pressure probe error or offline. Compressor stops running.	Check the suction pressure sensor and the wire connection.

Alarm Code	Alarm Name	Type	Alarm Explanation	Recommended Actions
AL141	AI_RangeError_2	Auto reset	EVI parameter out of Range error. Alarm only, EVI valve doesn't work.	Check EVI valve statuses, settings, and wiring connection.
AL142	AI_LowSH_2	Auto reset	EVI low Super heat. Alarm only, EVI valve doesn't work.	Check EVI valve statuses, settings, and wiring connection.
AL143	AI_LOP_2	Auto reset	EVI LOP error. Alarm only, EVI valve doesn't work.	Check EVI valve statuses, settings, and wiring connection.
AL144	AI_MOP_2	Auto reset	EVI MOP error. Alarm only, EVI valve doesn't work.	Check EVI valve statuses, settings, and wiring connection.
AL145	AI_HiTempCond_2	Auto reset	EVI high condensing temperature. Alarm only, EVI valve doesn't work.	Check EVI valve statuses, settings, and wiring connection.
AL146	AI_LowSuct_2	Auto reset	EVI low suction pressure. Alarm only, EVI valve doesn't work.	Check EVI valve statuses, settings, and wiring connection.
AL147	AI_EEV_2	Auto reset	EVI error. Alarm only, EVI valve doesn't work.	Check EVI valve statuses, settings, and wiring connection.
AL148	AI_SelfTuning_2	Auto reset	EVI Self tuning error. Alarm only, EVI valve doesn't work.	Check EVI valve statuses, settings, and wiring connection.
AL150	AI_ServicePosit_perc_2	Auto reset	EVI step out of range error. Alarm only, EVI valve doesn't work.	Check EVI valve statuses, settings, and wiring connection.
AL151	AI_ValveID_2	Auto reset	EVI ID error. Alarm only, EVI valve doesn't work.	Check EVI valve statuses, settings, and wiring connection.
AL153	AI_HiP_Pstat	Auto reset until counter	High pressure switch alarm. Unit will be locked if alarm happens 3 times in 3600s	Check the high-pressure switch and the wire connection. Check for potential causes on high pressure.
AL154	AI_LowP_Pstat	Auto reset until counter	Low pressure switch alarm. Unit will be locked if alarm happens 3 times in 3600s	Check the low-pressure switch and the wire connection. Check for potential causes on low pressure.
AL160	AI_AmbTemp_StopComp	Auto reset	Compressor stopped by high ambient. Temp. Under heating mode, the outdoor temperature is greater than 33 °C (91°F). or under cooling mode, there is a dehumidification demand for outdoor temperature below -4 °C (95°F) to stop the compressor work. Compressor stops running.	/

Alarm Code	Alarm Name	Type	Alarm Explanation	Recommended Actions
AL161	AI_OvldCondenserFan	Auto reset until counter	Condenser fan overload. Unit will be locked if alarm happens 5 times in 3600s.	Check statuses of condenser fan and the wiring connection of condenser fan.
AL162	AI_OvldHeater	Auto reset	Electric heater overload. Electric heater stops.	Check statuses of electric heater and the wiring connection of electric heater.
AL164	AL_ExpansionBoard	Auto reset	Expansion board offline alarm.	
AL165	AI_SupplyFanOverload2	Auto reset until counter	Supply Fan Overload 2. Unit will be locked if alarm happens 5 times in 3600s.	When the supply fan speed feedback is lower than the set value (default 100Hz), delayed the time for supply fan failure alarm. Check whether the fan wiring is good, whether the fan is damaged, and if the fan feedback fault set value is appropriate.
AL167	AI_Power	Auto reset	AC Power failure. Compressor stops running.	Check the AC power statuses.
AL168	AI_Supply_Probe_error	Auto reset	Supply temperature probe error or offline	Air supply temperature sensor failure, check the air supply temperature sensor

### 4.3 Complete the Registration Card

The information on the registration card is critical for establishing the warranty start point.

The nameplate with the required information can be found on the outside of the unit. Information must be recorded on the AIRSYS Product Warranty Registration Card. The registration card can also be submitted online at:

<https://airsysnorthamerica.com/support/warranty-registration/>

## AIRSYS Product Warranty Registration Card

### Product Information

HVAC #1	Model #: _____	Serial #: _____
HVAC #2	Model #: _____	Serial #: _____
HVAC #3	Model #: _____	Serial #: _____
HVAC #4	Model #: _____	Serial #: _____
HVAC #5	Model #: _____	Serial #: _____
HVAC #6	Model #: _____	Serial #: _____

### Installation Information

Street address: _____	City: _____	State: _____	Zip: _____
Date Install Completed: ____/____/____	Installation Company: _____		
Installer Name: _____	Phone #: _____	Email: _____	

### Ownership Information

Owner: _____		
Site Supervisor Name: _____	Phone #: _____	Email: _____

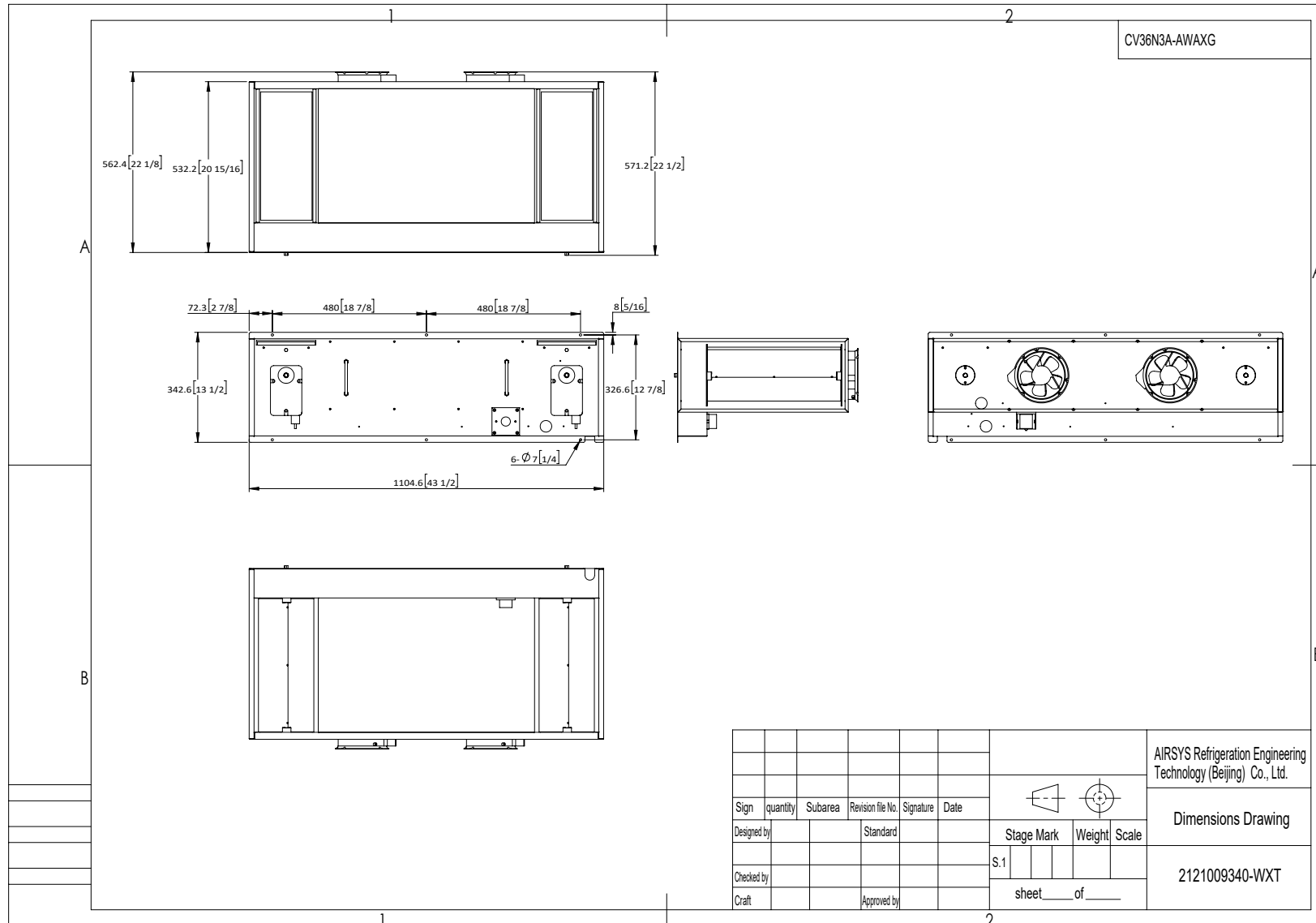
**REGISTRATION ONLINE:** [airsysnorthamerica.com/support/warranty-registration](http://airsysnorthamerica.com/support/warranty-registration)

BY EMAIL: Scan and send to: [Support@air-sys.us](mailto:Support@air-sys.us)  
 By MAIL: AIRSYS Product  
 Registration, 7820 Reidville Rd.  
 Greer, SC 29334



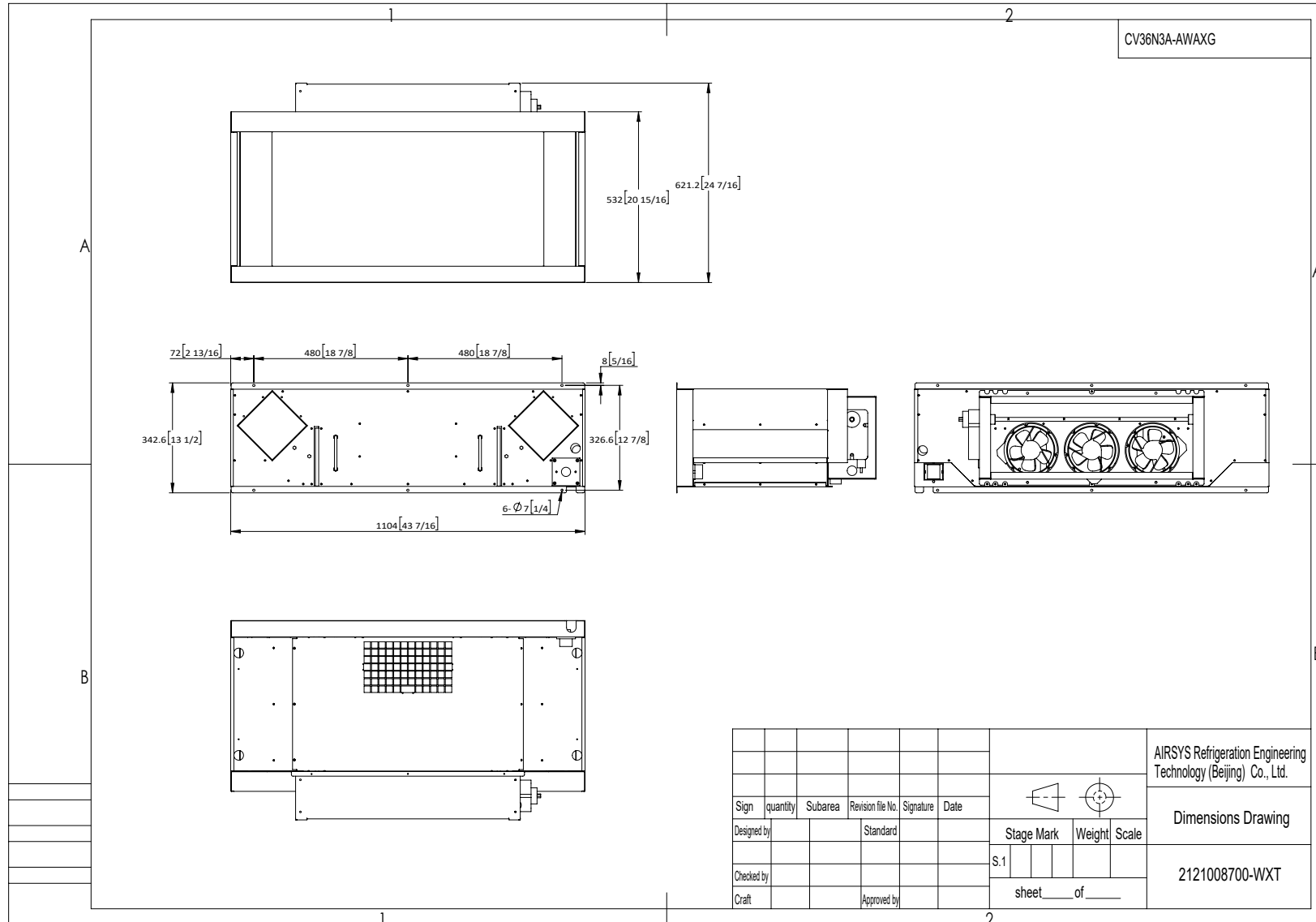


5.1.1.1.2 2121009340 CRV



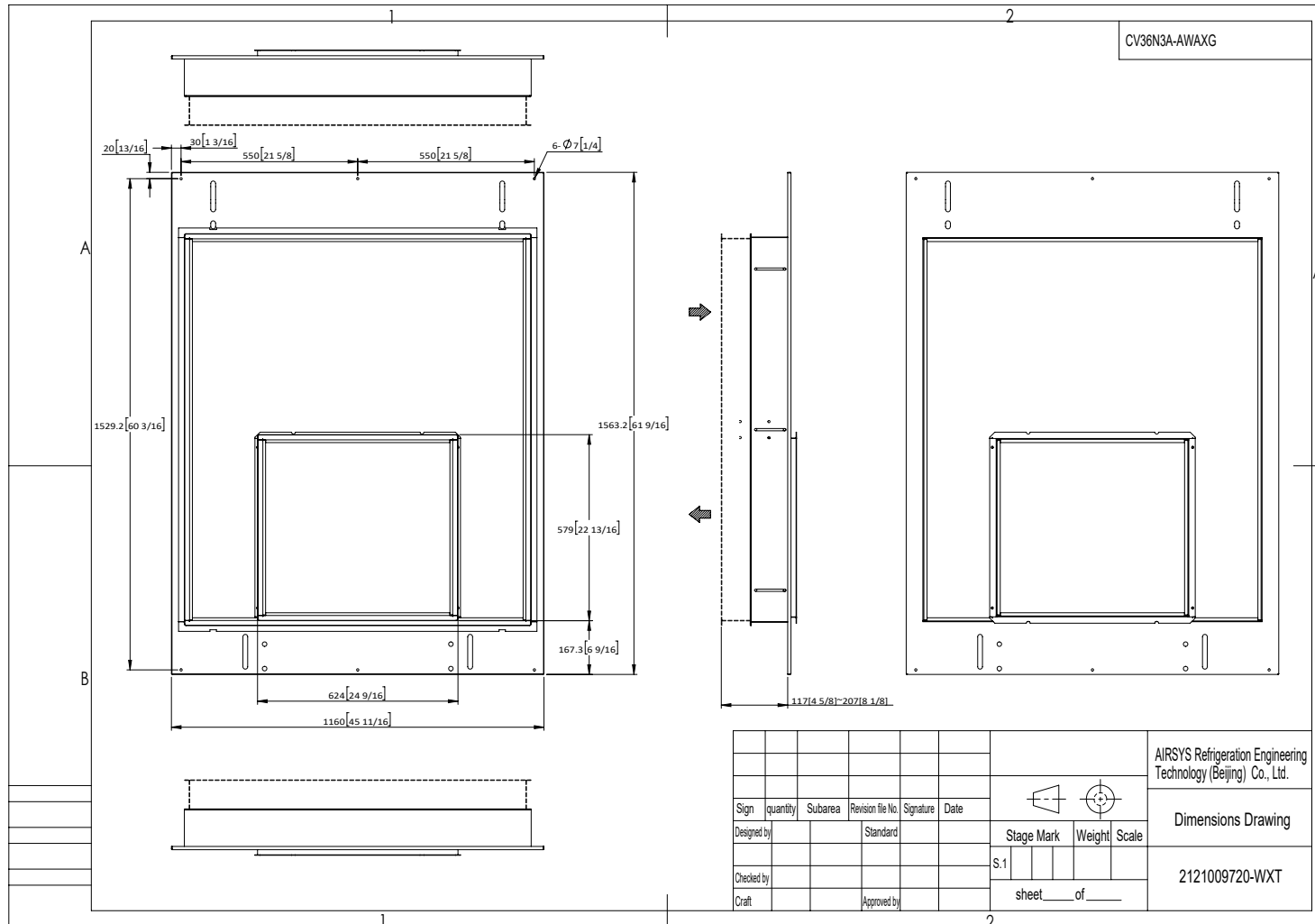
						AIRSYS Refrigeration Engineering Technology (Beijing) Co., Ltd.			
Sign	quantity	Subarea	Revision file No.	Signature	Date	Stage Mark		Weight	Scale
Designed by			Standard			S.1			
Checked by						sheet ___ of ___		2121009340-WXT	
Craft			Approved by						

5.1.1.1.3 2121008700 ERV

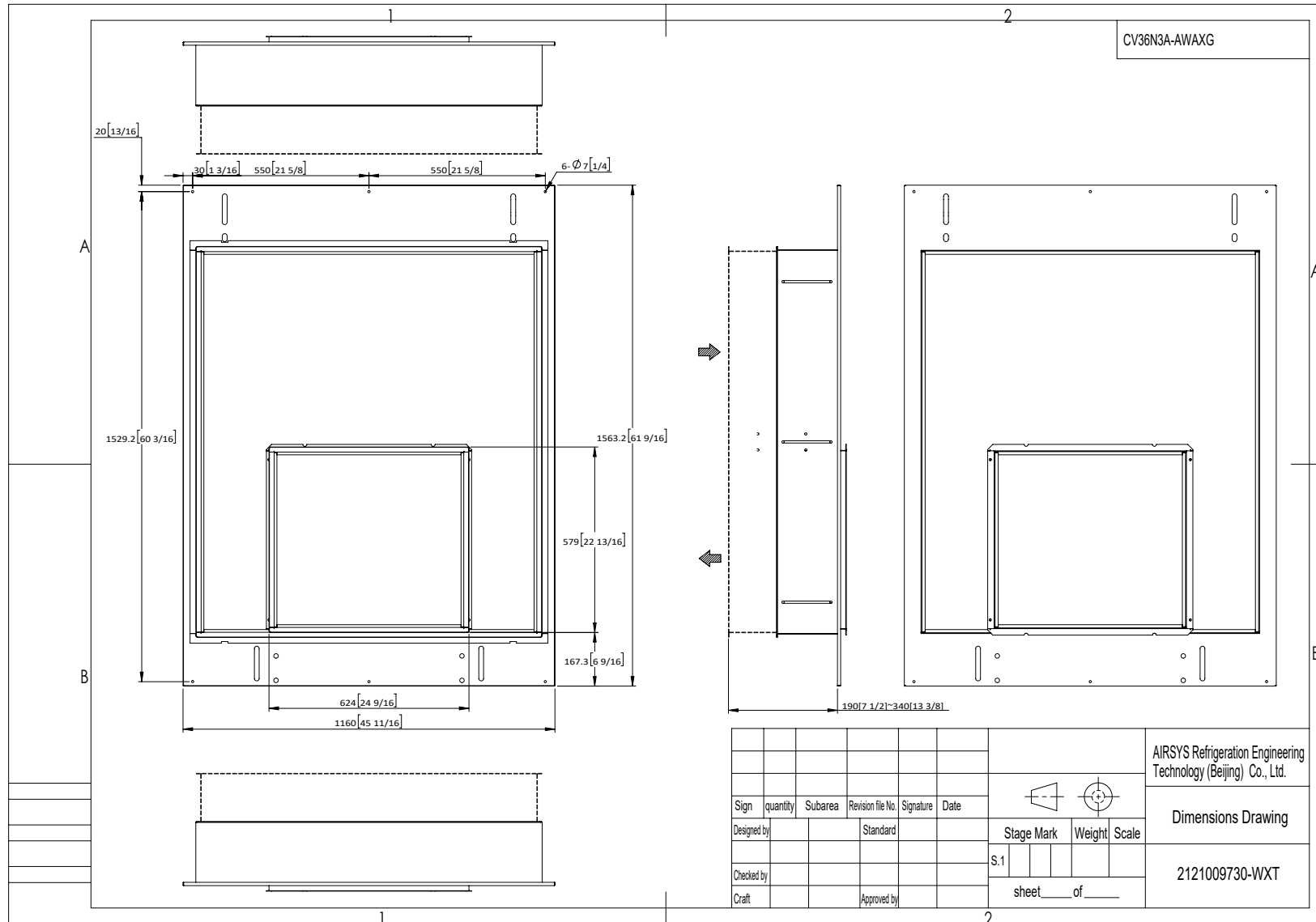


# 6 Appendix B Installation Accessories

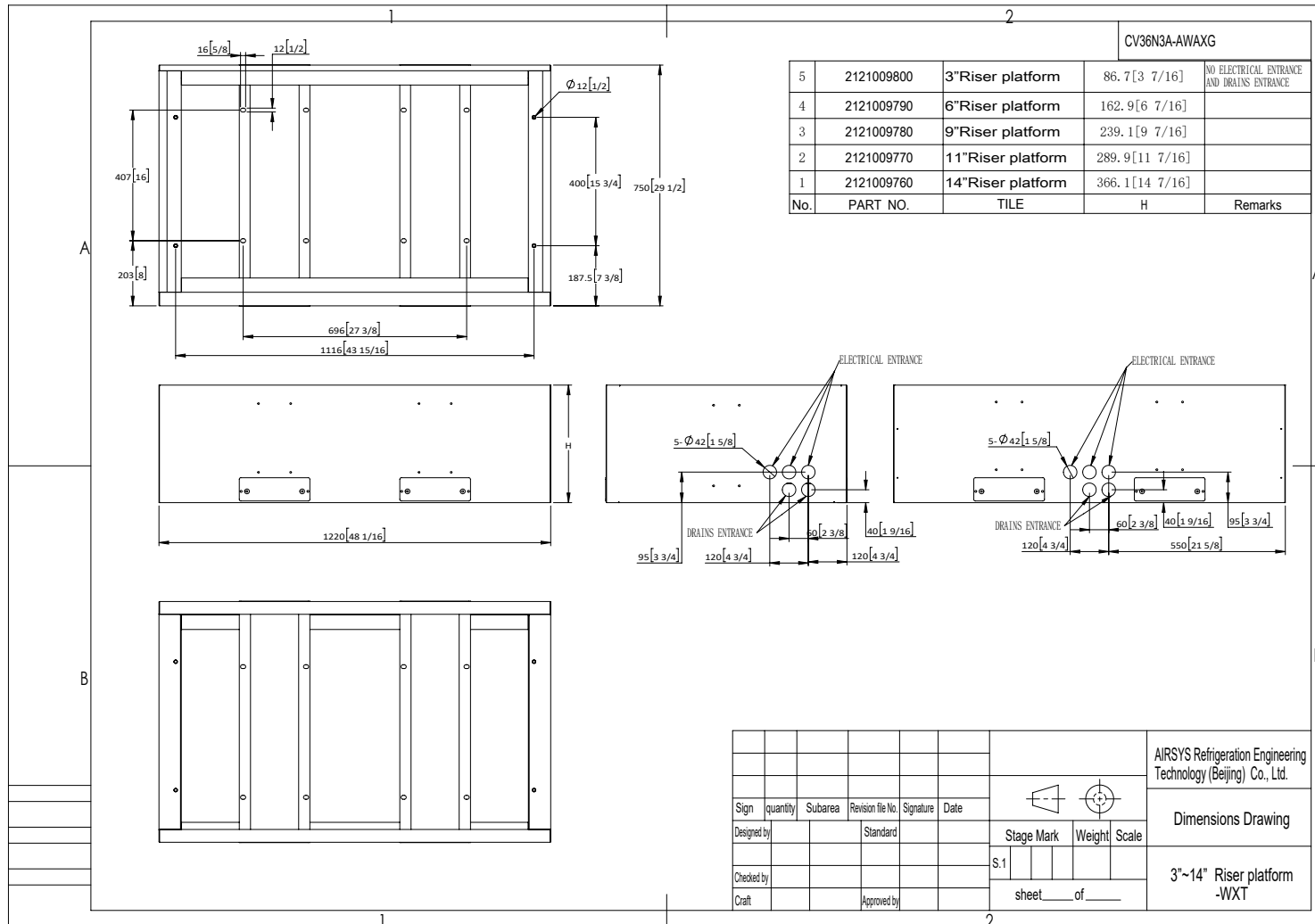
## 6.1.1.1.1 2121009720 8" Wall Sleeve



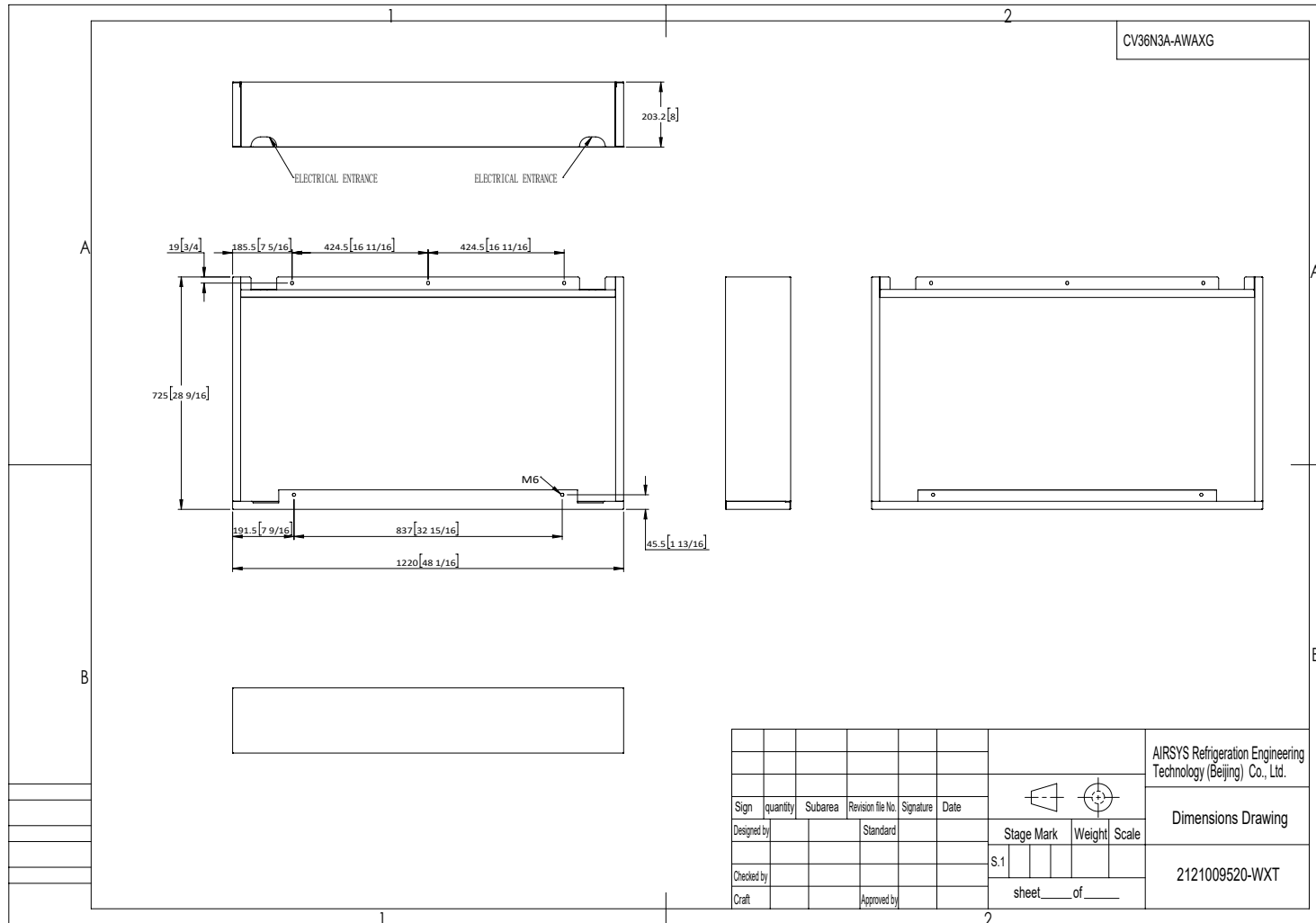
6.1.1.1.2 2121009730 13" Wall Sleeve



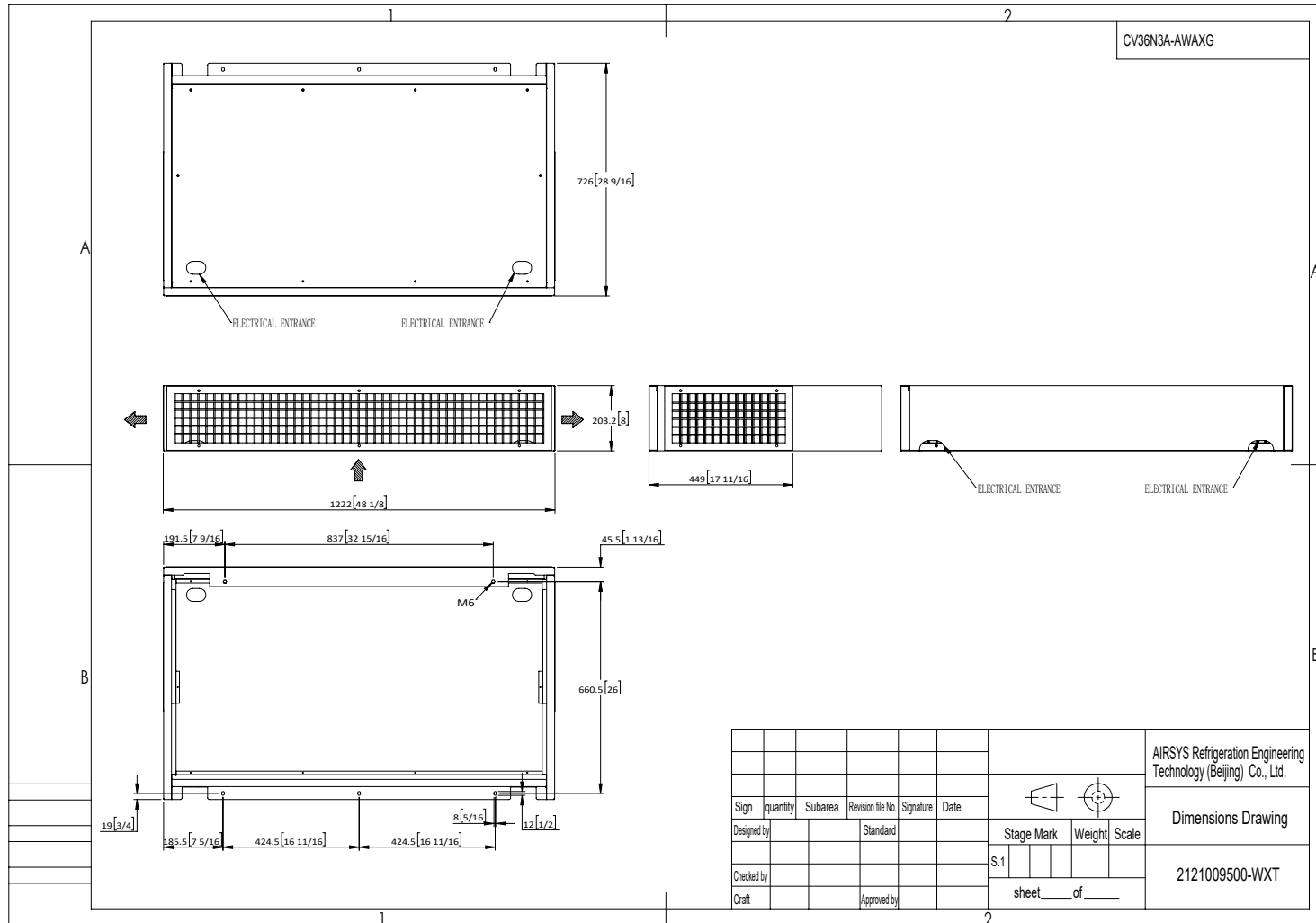
6.1.1.1.3 3~14" Base Extension



6.1.1.1.4 2121009520 Top Cover Panel

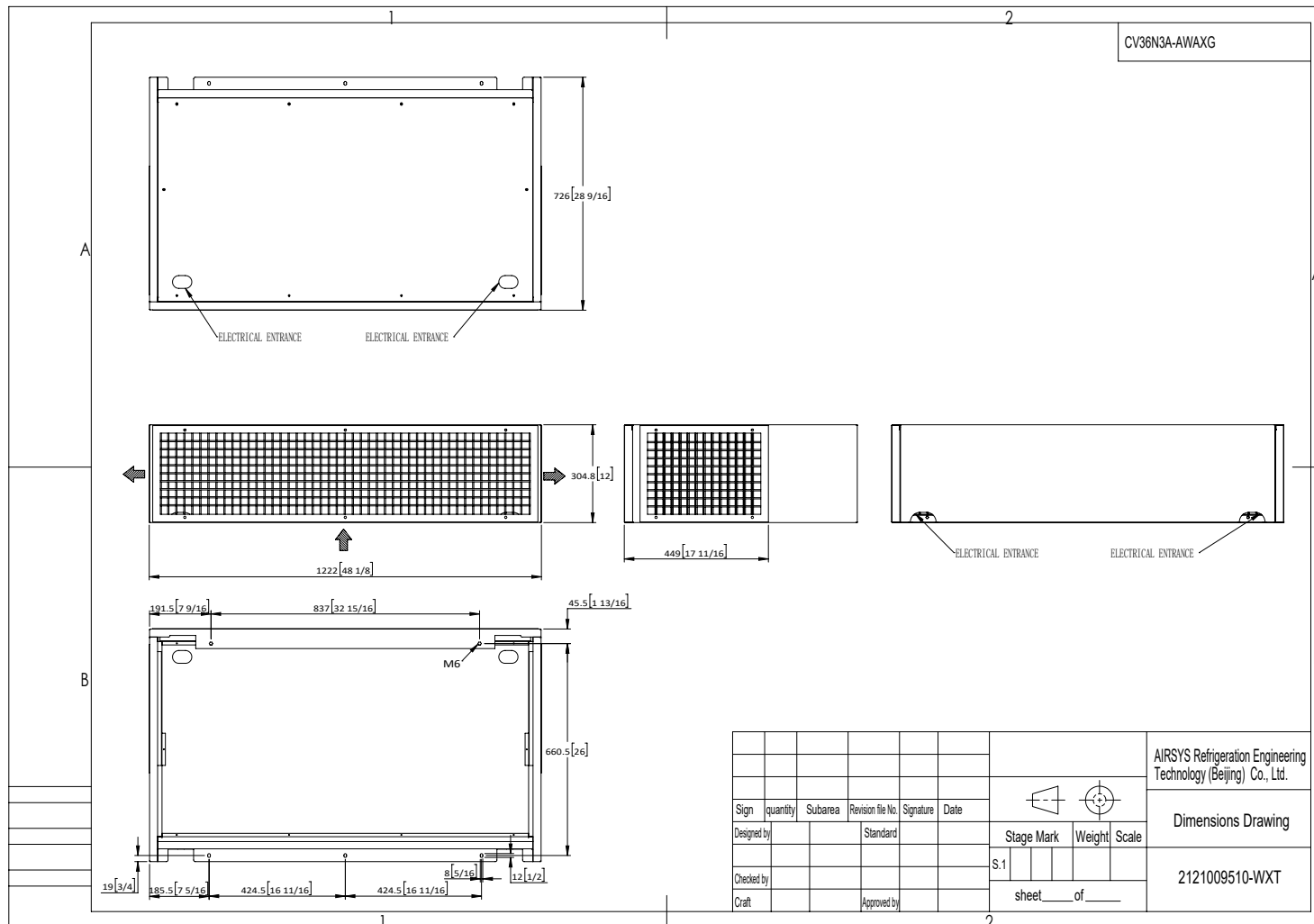


6.1.1.1.5 2121009500 8" Free Discharge Plenum



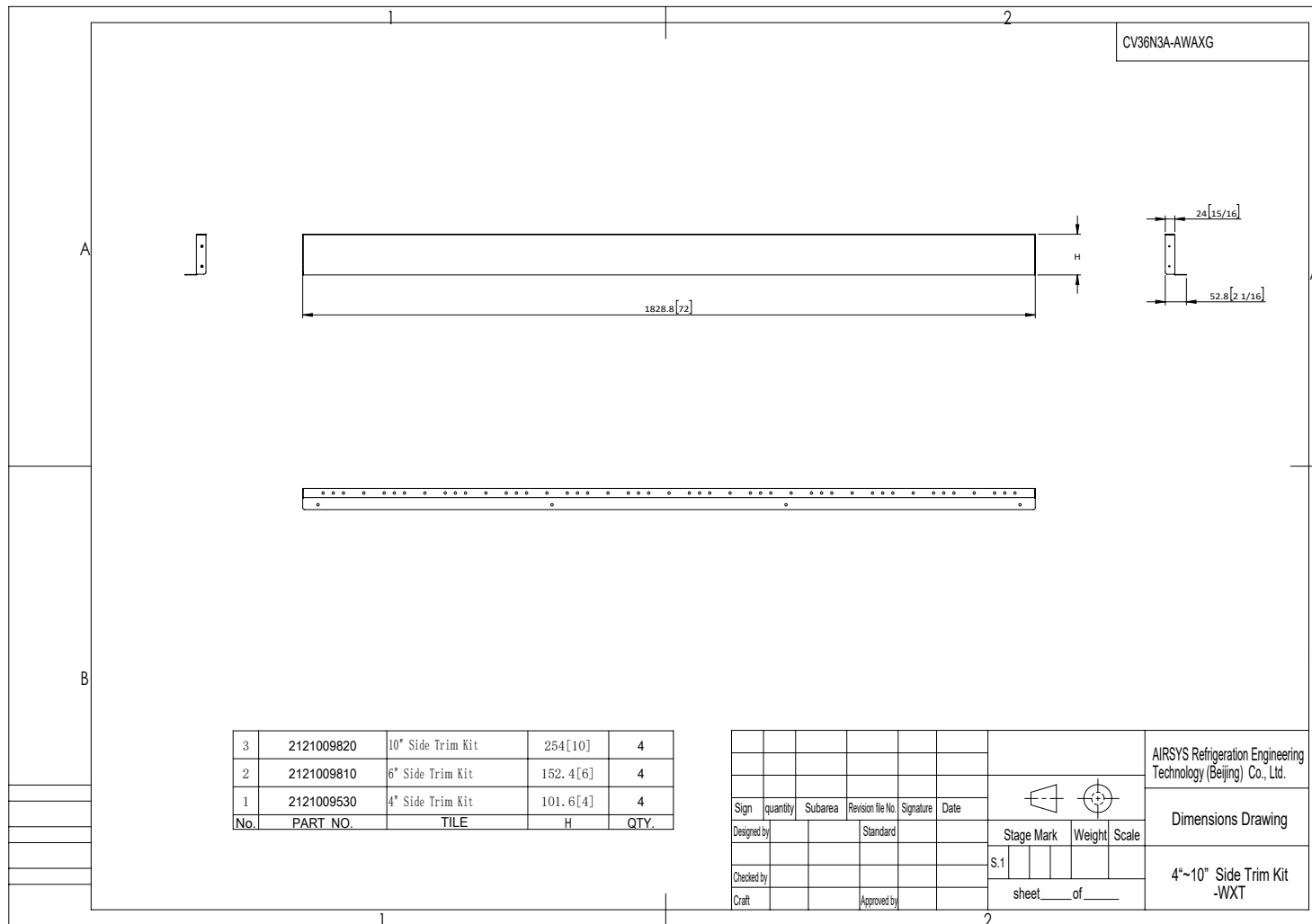


6.1.1.1.6 2121009510 12" Free Discharge Plenum



						AIRSYS Refrigeration Engineering Technology (Beijing) Co., Ltd.		
Sign	quantity	Subarea	Revision file No.	Signature	Date	Stage Mark	Weight	Scale
Designed by			Standard					
Credited by						S.1		
Craft			Approved by			sheet ___ of ___		2121009510-WXT

6.1.1.1.7 4"~10" Side cover Panel



# 7 Tables & Figures List

## Tables List

Table 1-1 Packaging Symbols.....	6
Table 1-2 Model Number.....	7
Table 1-3 Acronyms and Abbreviations.....	8
Table 2-1 CRV Fresh Air Flow Data.....	11
Table 2-2 ERV Fresh Air Flow Data.....	11
Table 3-1 AIRSYS Provided Materials.....	18
Table 3-2 Installer Supplied Materials.....	21
Table 3-3 Electrical Ratings.....	22
Table 3-4: Unit Dimensions and Weights.....	23
Table 3-5: Clearances.....	23
Table 3-6 Opening Height.....	25
Table 3-7 Wall Thickness.....	25
Table 3-8 Low Voltage Wiring.....	36
Table 4-1 Alarm List.....	43

## Figures List

Figure 2-1 Basic Operation.....	10
Figure 2-2 Blank Off Plate.....	11
Figure 2-3 Commercial Room Ventilator.....	11
Figure 2-4 Energy Recovery Ventilator.....	11
Figure 2-5 Window Duct Frame.....	12
Figure 2-6 Base Extension.....	12
Figure 2-7 Top Cover Panel.....	12
Figure 2-8 Free Discharge Plenum.....	12
Figure 2-9 Side Cover Panel.....	13
Figure 2-10 Optional Installation Schamitic.....	14
Figure 2-11 PTC Electrical Heater.....	14
Figure 3-1 Physical Dimension.....	24
Figure 3-2 Wall Opening and Floor Hole Location View.....	25
Figure 3-3 Disassemble the Base.....	26
Figure 3-4 Configuring Wall Sleeve.....	27
Figure 3-5 Wall Sleeve Insulation.....	27
Figure 3-6 Outer Sleeve.....	28
Figure 3-7 Inner Sleeve.....	28
Figure 3-8 Install Weather Stripping.....	29
Figure 3-9 Securing to Floor.....	29
Figure 3-10 Gap Seal.....	30
Figure 3-11 Install CRV.....	31
Figure 3-12 Install ERV.....	31
Figure 3-13 Install Blank-off.....	32
Figure 3-14 Sensor Installation in Plenum.....	33
Figure 3-15 Sensor Installation in Duct.....	33

---

Figure 3-16 Single Circuit QS1 Location.....	35
Figure 3-17 Dual Circuit QS1/QS2 Location .....	35
Figure 3-18 Low Voltage Wiring.....	36
Figure 3-19 Electrical Heater Wiring .....	39

## AIRSYS Global Subsidiaries Contact:

### Headquarter

#### AIRSYS Cooling Technologies, Inc

Add: 7820 Reidville Rd. Greer, SC 29651 , USA  
Tel: +1 (855) 874 5380  
Email: [sales@air-sys.us](mailto:sales@air-sys.us)

#### AIRSYS (UK) Ltd.

Add: 245 Europa Boulevard, Warrington, UK. WA5 7TN  
Tel: +44 (0) 1925 377 272  
Call Centre: +44(0)8456099950  
Email: [enquiries@air-sys.uk](mailto:enquiries@air-sys.uk)

#### AIRSYS Brasil Ltda.

Add: Av. Moaci, 395 Conj 35/36 04083-000 – Planalto Paulista  
SAO PAULO – SP  
Tel: +55 (11) 25976817 / +55 (11) 21585560  
Email: [airsys-brasil@air-sys.com.br](mailto:airsys-brasil@air-sys.com.br)

#### AIRSYS Deutschland GmbH

Add: Feringastr. 6, 85774 Unterföhring / München, Germany  
Tel: +49 89 9921 6510  
Email: [anfragen@air-sys.eu](mailto:anfragen@air-sys.eu)

#### AIRSYS Refrigeration Engineering Technology (Beijing) Co., Ltd.

Add: 10th floor, Hongkun Shengtong building, 19, Ping Guo Yuan  
Xi Xiao Jie, Shijingshan, Beijing, China 100043  
Tel: +86(0)10 68656161  
Email: [airsys@air-sys.com](mailto:airsys@air-sys.com)

#### Gu'an AIRSYS Environment Technology Company Ltd.

Add: 25, Dongfang Street, Gu'an Industry Park, Langfang City,  
Hebei Province, China  
Tel: +86(0)10 68656161

#### Shanghai AIRSERVE HVAC System Service Co., Ltd.

Add: Room 1701, Xinda building, No. 322 Xianxia Road,  
Changning District, Shanghai, China 200336  
Tel: +86(0)21 62452626 Fax: +86 (0)21 6245962

#### AIRSYS Singapore Pte. Ltd

Add: 50, Tagore Lane Entrepreneur Centre, #03-04 (F),  
Singapore 787494  
Tel: +65 64991850  
Fax: +65 68416301  
Email: [sales@air-sys.sg](mailto:sales@air-sys.sg)

#### AIRSYS Philippines Corporation

Add: Unit 1603 16th Floor 139 Corporate Centre Building Valero  
St. Salcedo Village Bel-Air 1209 Makati, Philippines  
Tel: +63 84581047  
Fax: +63 88470496  
Email: [sales@air-sys.sg](mailto:sales@air-sys.sg)

#### AIRSYS Malaysia Sdn. Bhd.

NO. 7-1, Jalan 109F, Plaza Danau 2, Taman Danau Desa,  
58100 Kuala Lumpur Wilayah Persekutuan Malaysia  
Tel: +60 3 7982 2010  
Fax: +60 3 7980 1242  
Email: [sales@air-sys.sg](mailto:sales@air-sys.sg)

#### AIRSYS Australia Sales Office

Add: PO BOX 1088, Flagstaff Hill, SA, 5159, Australia  
Tel: +61 479151080  
Email: [sales@air-sys.sg](mailto:sales@air-sys.sg)

Product design and specification subject to change  
without prior notice.